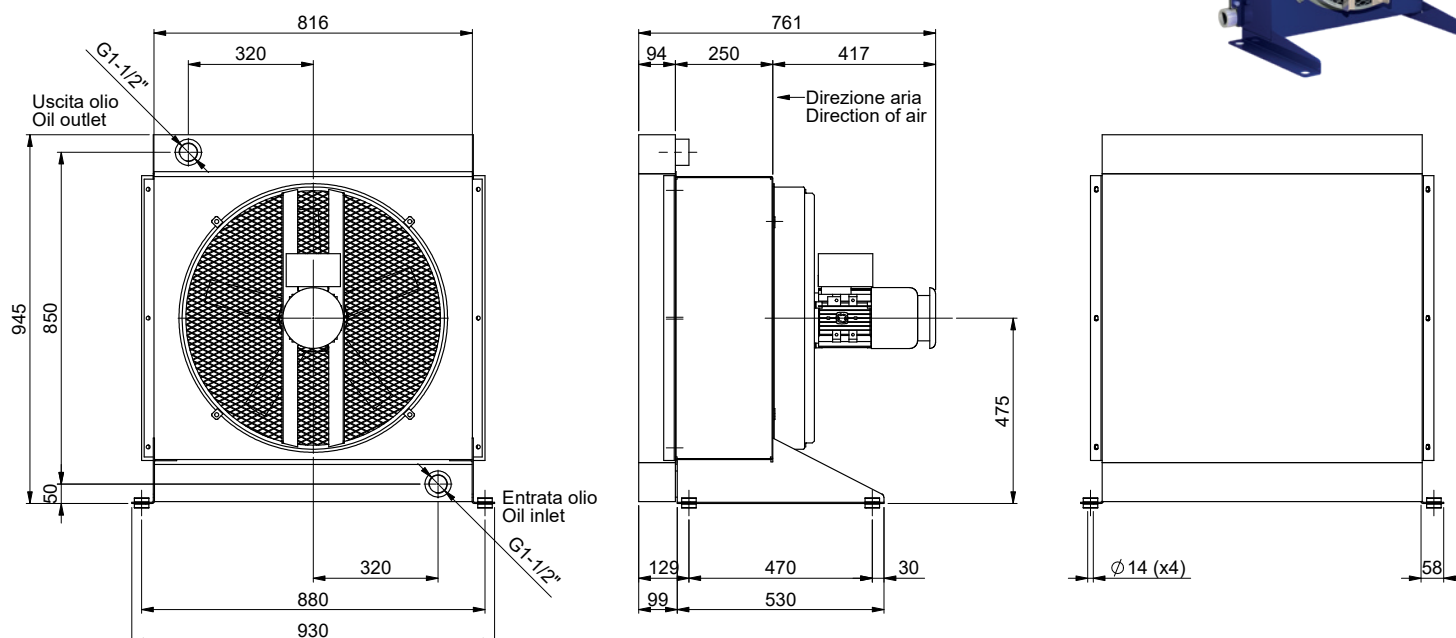


# AP 830 EMX

AC MOTOR AIR-OIL HEAT EXCHANGERS  
MARINE USE AND ATEX REGULATION EMX TYPE  
SCAMBIATORI DI CALORE ARIA OLIO CON VENTILATORE A  
CORRENTE ALTERNATA USO MARINO NORME ATEX SERIE EMX



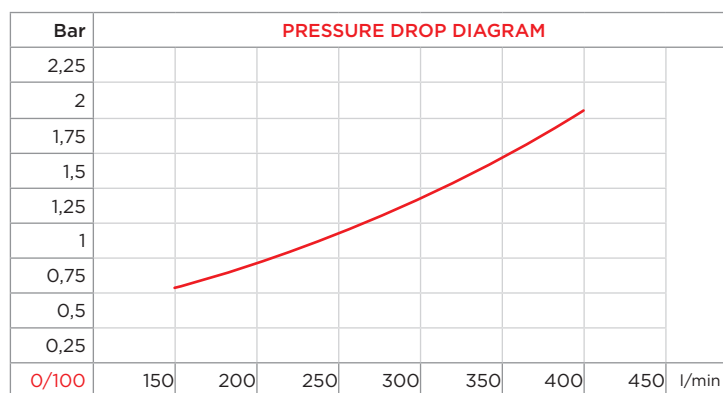
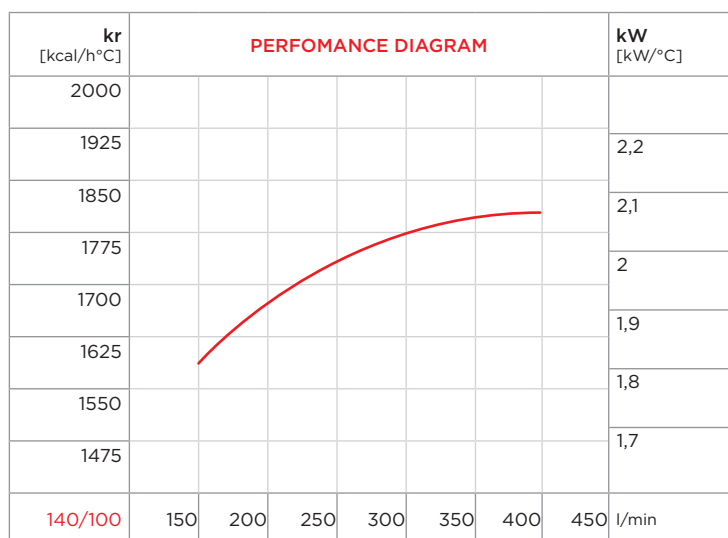
- Dimensions and technical characteristics are not binding



Static working pressure = 20 bar

Test pressure = 35 bar

CODE	OIL FLOW l/min	CAP. l	VOLT. V	FREQ. Hz	POWER W	CURRENT A	AIR FLOW m <sup>3</sup> /h	PROT. IP	NOISE LEV. dB(A)	WEIGHT kg	ø FAN mm	TEMP. °C
3RAP830EMX50	150-400	20	220-240(Δ) / 380-415 (Y)	50	1100	2,58	10000	56	87	115	560	-20/+40
3RAP830EMX60	150-400	20	460 (Y)	60	1100	2,24	10600	56	87	115	560	-20/+40



	22	30	46	68	100	150	220
cSt	0,6	1	1,5	2,3	3,5	5	7

## PURCHASE CODES

AP 830 EMX three-phase 380-415V 50Hz	3RAP830EMX50
AP 830 EMX three-phase 460V 60HZ	3RAP830EMX60

## SPARE PARTS

Cooling element	3RNL830A
Frame	3CNAP830EMX.1
Electric fan 380-415V 50Hz	1VNAP830EMX50
Electric fan 460V 60Hz	1VNAP830EMX60