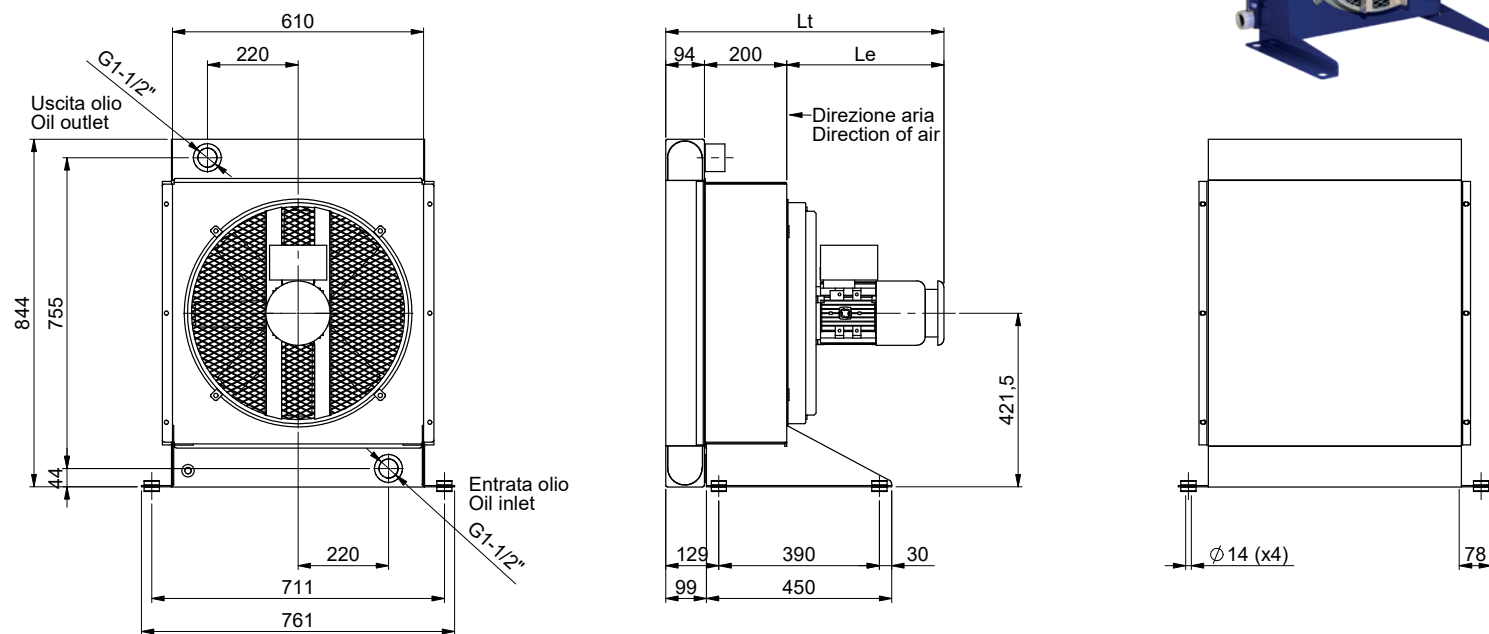


# AP 730 EMX

AC MOTOR AIR-OIL HEAT EXCHANGERS  
MARINE USE AND ATEX REGULATION EMX TYPE  
SCAMBIATORI DI CALORE ARIA OLIO CON VENTILATORE A  
CORRENTE ALTERNATA USO MARINO NORME ATEX SERIE EMX



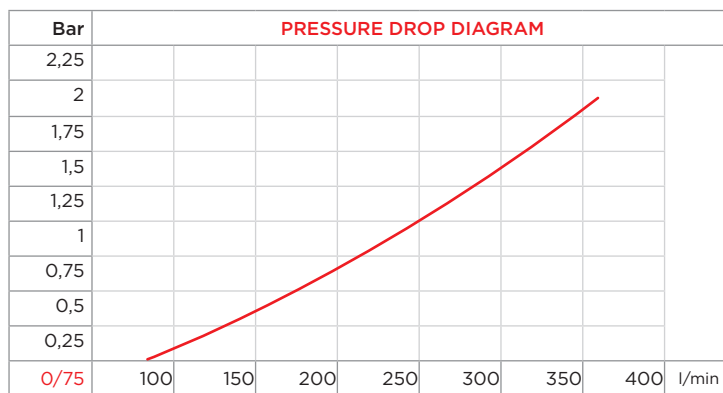
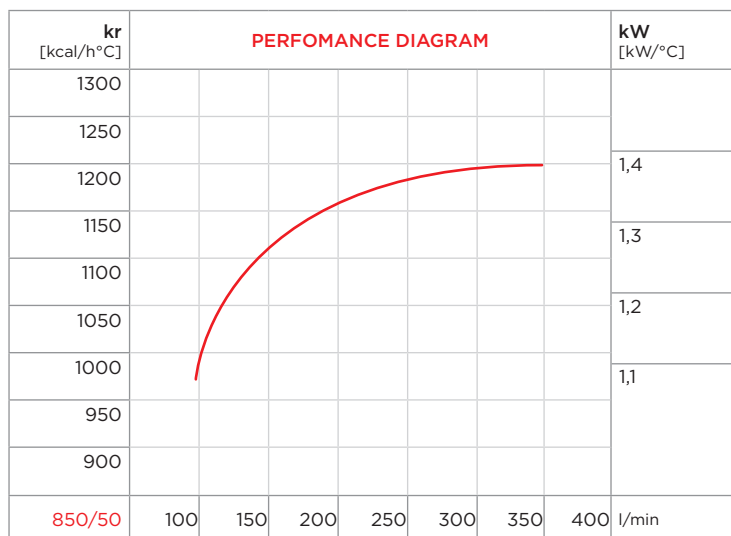
- Dimensions and technical characteristics are not binding



Static working pressure = 20 bar

Test pressure = 35 bar

CODE	OIL FLOW l/min	CAP. l	VOLT. V	FREQ. Hz	POWER W	CURRENT A	AIR FLOW m <sup>3</sup> /h	PROT. IP	NOISE dB(A)	WEIGHT kg	Ø FAN mm	TEMP. °C	DIMENSION	
													Le	Lt
3RAP730EMX50	100-300	16	220-240(Δ) / 380-415 (Y)	50	550	1,6	7800	56	86	98	500	-20/+40	322	616
3RAP730EMX60	100-300	16	460 (Y)	60	750	1,79	8200	56	86	98	500	-20/+40	364	658



cSt	22	30	46	68	100	150	220
f	0,6	1	1,5	2,3	3,5	5	7

## PURCHASE CODES

AP 730 EMX three-phase 380-415V 50Hz	3RAP730EMX50
AP 730 EMX three-phase 460V 60Hz	3RAP730EMX60

## SPARE PARTS

Cooling element	3RNL730A
Frame	3CNP730EMX.1
Electric fan 380-415V 50Hz	1VNAP680EMX50
Electric fan 460V 60Hz	1VNAP680EMX60