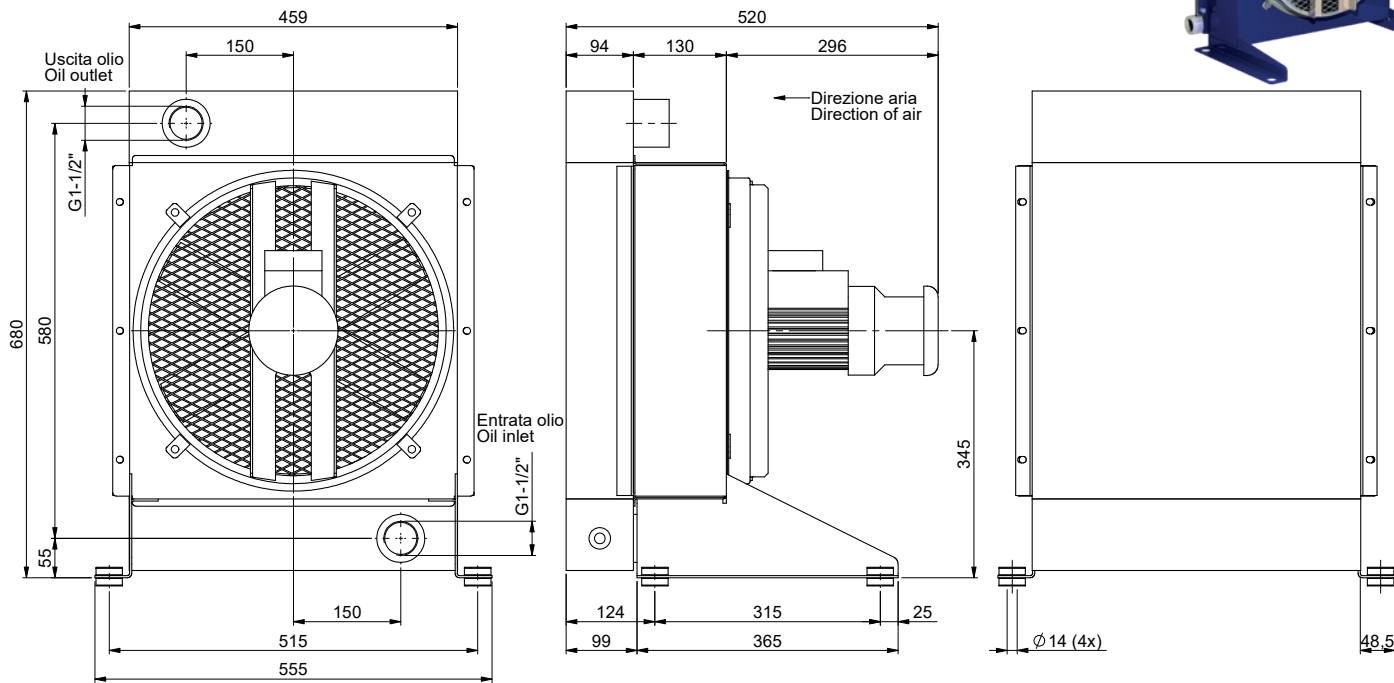


# AP 580 EMX

AC MOTOR AIR-OIL HEAT EXCHANGERS  
MARINE USE AND ATEX REGULATION EMX TYPE  
SCAMBIATORI DI CALORE ARIA OLIO CON VENTILATORE A  
CORRENTE ALTERNATA USO MARINO NORME ATEX SERIE EMX



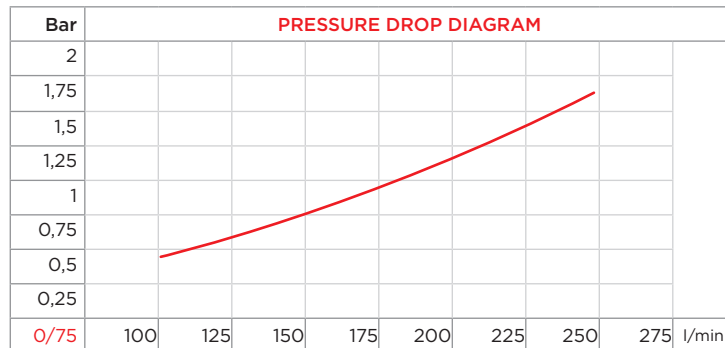
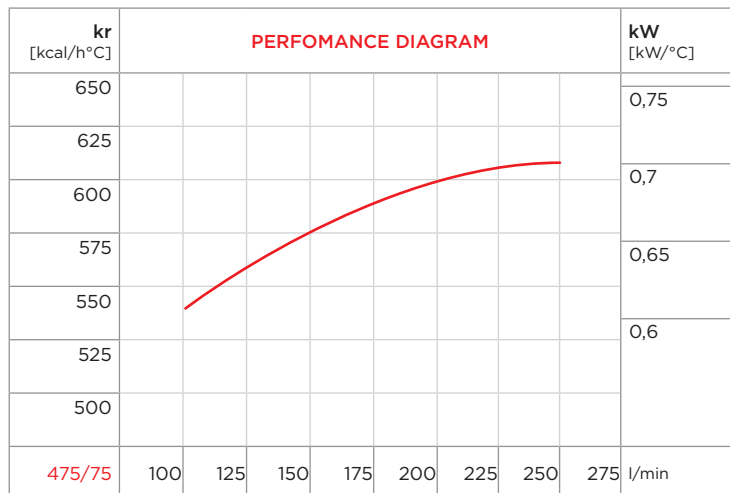
- Dimensions and technical characteristics are not binding



Static working pressure = 20 bar

Test pressure = 35 bar

CODE	OIL FLOW l/min	CAP. l	VOLT. V	FREQ. Hz	POWER W	CURRENT A	AIR FLOW m <sup>3</sup> /h	PROT. IP	NOISE LEV. dB(A)	WEIGHT kg	$\varnothing$ FAN mm	TEMP. °C
3RAP580EMX50	100-250	11,5	220-240( $\Delta$ ) / 380-415 (Y)	50	180	0,67	3500	56	79	62	400	-20/+40
3RAP580EMX60	100-250	11,5	460 (Y)	50	180	0,59	3700	56	81	62	400	-20/+40



CORRECTION FACTOR							
cSt	22	30	46	68	100	150	220
f	0,6	1	1,5	2,3	3,5	5	7

## PURCHASE CODES

AP 580 EMX three-phase 380-415V 50Hz	3RAP580EMX50
AP 580 EMX three-phase 460V 60Hz	3RAP580EMX60

## SPARE PARTS

Cooling element	3RNL580A
Frame	3CNAP580EMX.1
Electric fan 380-415V 50Hz	1VNAP432EMX50
Electric fan 460V 60Hz	1VNAP432EMX60