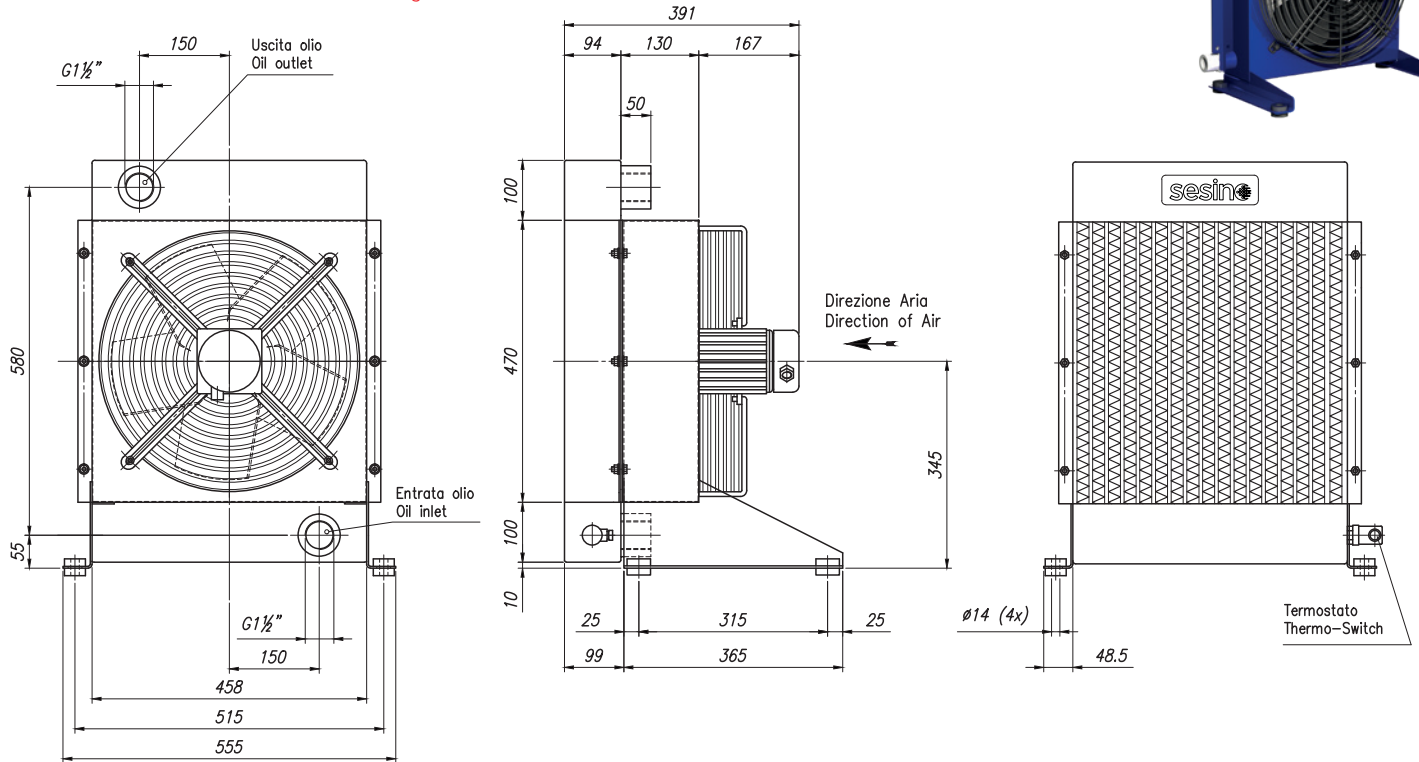


AP 580 EM

AIR-OIL HEAT EXCHANGERS MARINE USE EM TYPE
SCAMBIATORI ARIA-OLIO CON VENTILATORE AC USO MARINO SERIE EM



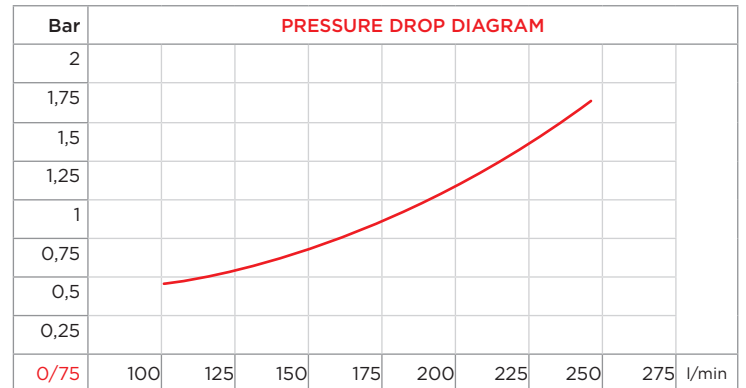
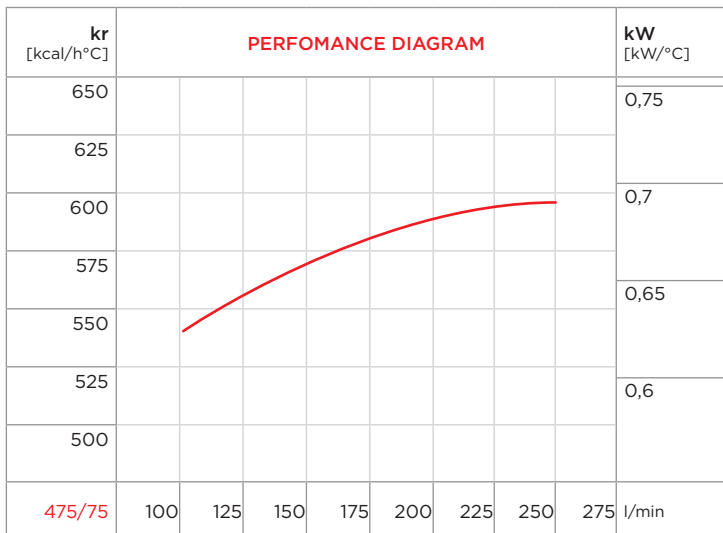
- Dimensions and technical characteristics are not binding



Static working pressure = 20 bar

Test pressure = 35 bar

CODE	OIL FLOW l/min	CAP. l	VOLT. V	FREQ. Hz	POWER W	CURRENT A	AIR FLOW m ³ /h	PROT. IP	NOISE LEV. dB(A)	WEIGHT kg	Ø FAN mm	TEMP. °C
3RAP580EM50ST	100-250	11,5	220-240(Δ) / 380-415	50	196	0,72	3500	56	72	45	400	-20/+40
3RAP580EM60ST	100-250	11,5	460 (Y)	60	261	0,72	3700	56	72	45	400	-20/+40



CORRECTION FACTOR

cSt	22	30	46	68	100	150	220
f	0,6	1	1,5	2,3	3,5	5	7

PURCHASE CODES

AP 580 EM three-phase 380-415V 50Hz with thermo-switch	3RAP580EM50T247 3RAP580EM50T260
AP 580 EM three-phase 460V 60 Hz with thermo-switch	3RAP580EM60T247 3RAP580EM60T260
AP 580 EM three-phase 380-415V 50Hz without thermo-switch	3RAP580EM50ST
AP 580 EM three-phase 460V 60 Hz without thermo-switch	3RAP580EM60ST

SPARE PARTS

Cooling element	3RNL580A
Frame	3CNAP580EM.1
Electric fan 380-415V 50Hz	1VNAP432EM50
Electric fan 460V 60 Hz	1VNAP432 EM60
Thermo-switch 47-36	1TRM 47-36
Thermo-switch 60-49	1TRM 60-49