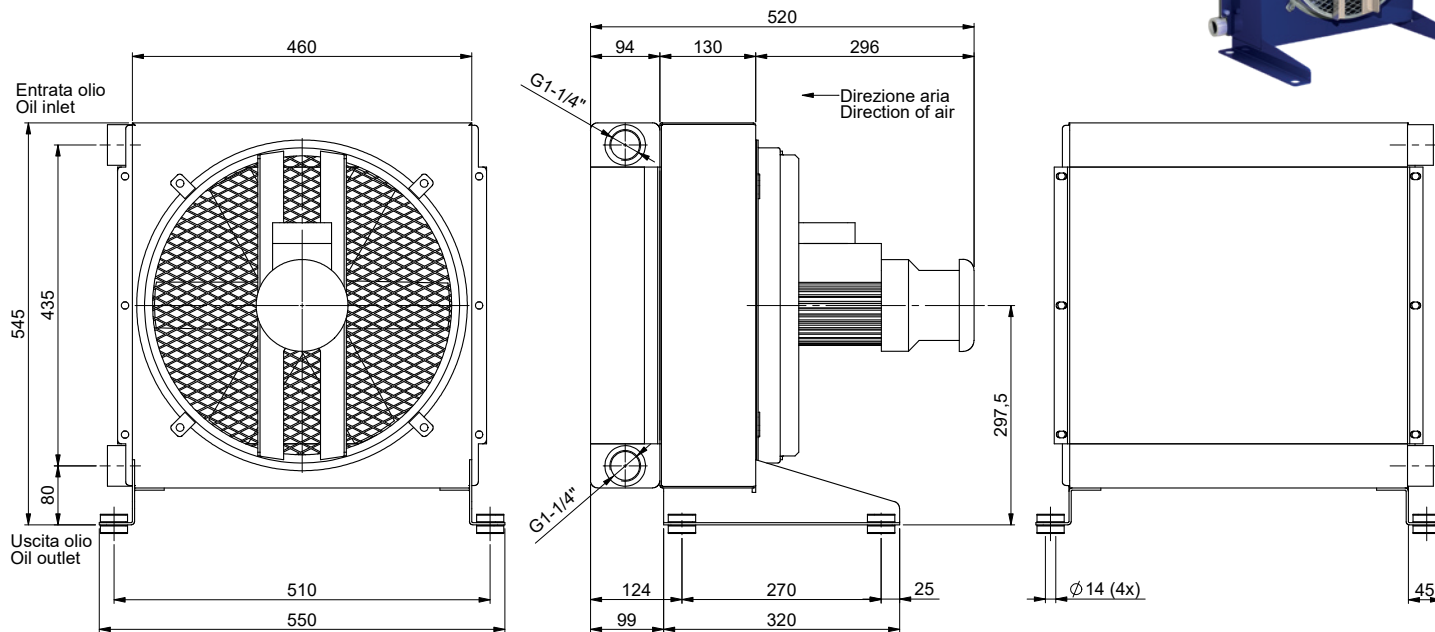


AP 494 EMX

AC MOTOR AIR-OIL HEAT EXCHANGERS
MARINE USE AND ATEX REGULATION EMX TYPE
SCAMBIATORI DI CALORE ARIA OLIO CON VENTILATORE A
CORRENTE ALTERNATA USO MARINO NORME ATEX SERIE EMX



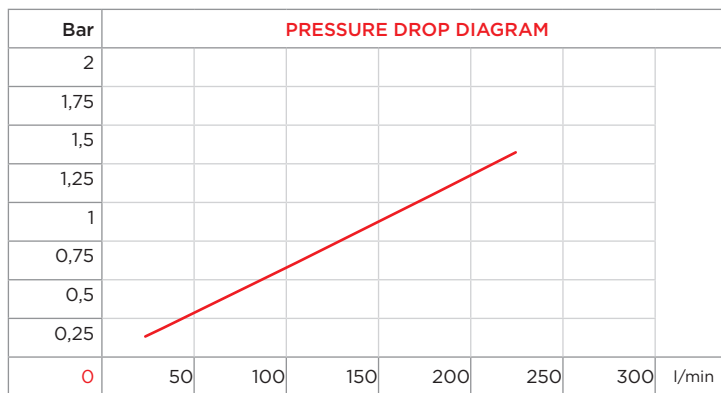
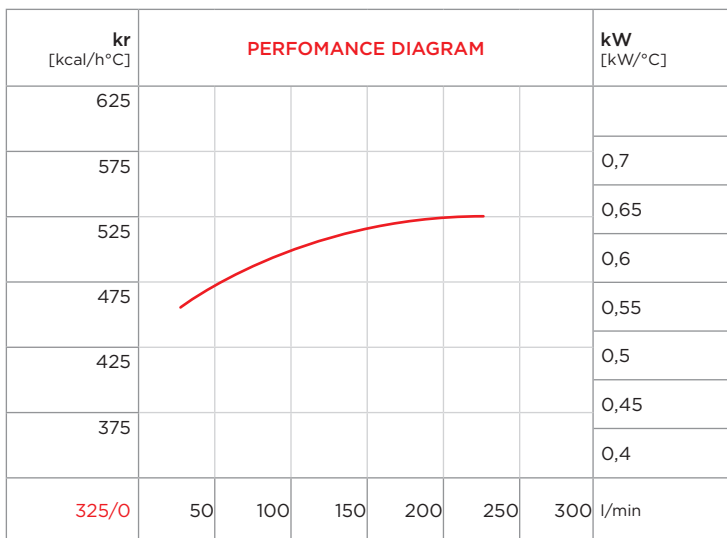
- Dimensions and technical characteristics are not binding



Static working pressure = 20 bar

Test pressure = 35 bar

CODE	OIL FLOW l/min	CAP. l	VOLT. V	FREQ. Hz	POWER W	CURRENT A	AIR FLOW m ³ /h	PROT. IP	NOISE LEV. dB(A)	WEIGHT kg	Ø FAN mm	TEMP. °C
3RAP494EMX50	30-240	8	220-240(Δ) / 380-415	50	180	0,67	3300	56	80	50	400	-20/+40
3RAP494EMX60	30-240	8	460 (Y)	60	180	0,59	3500	56	82	30	400	-20/+40



CORRECTION FACTOR							
cSt	22	30	46	68	100	150	220
f	0,6	1	1,5	2,3	3,5	5	7

PURCHASE CODES

AP 494 EMX three-phase 380-415V 50Hz	3RAP494EMX50
AP 494 EMX three-phase 460V 60HZ	3RAP494EMX60

SPARE PARTS

Cooling element	3RNL494A
Frame	3CNAP494EMX.1
Electric fan 380-415V 50Hz	1VNAP432EMX50
Electric fan 460V 60Hz	1VNAP432EMX60