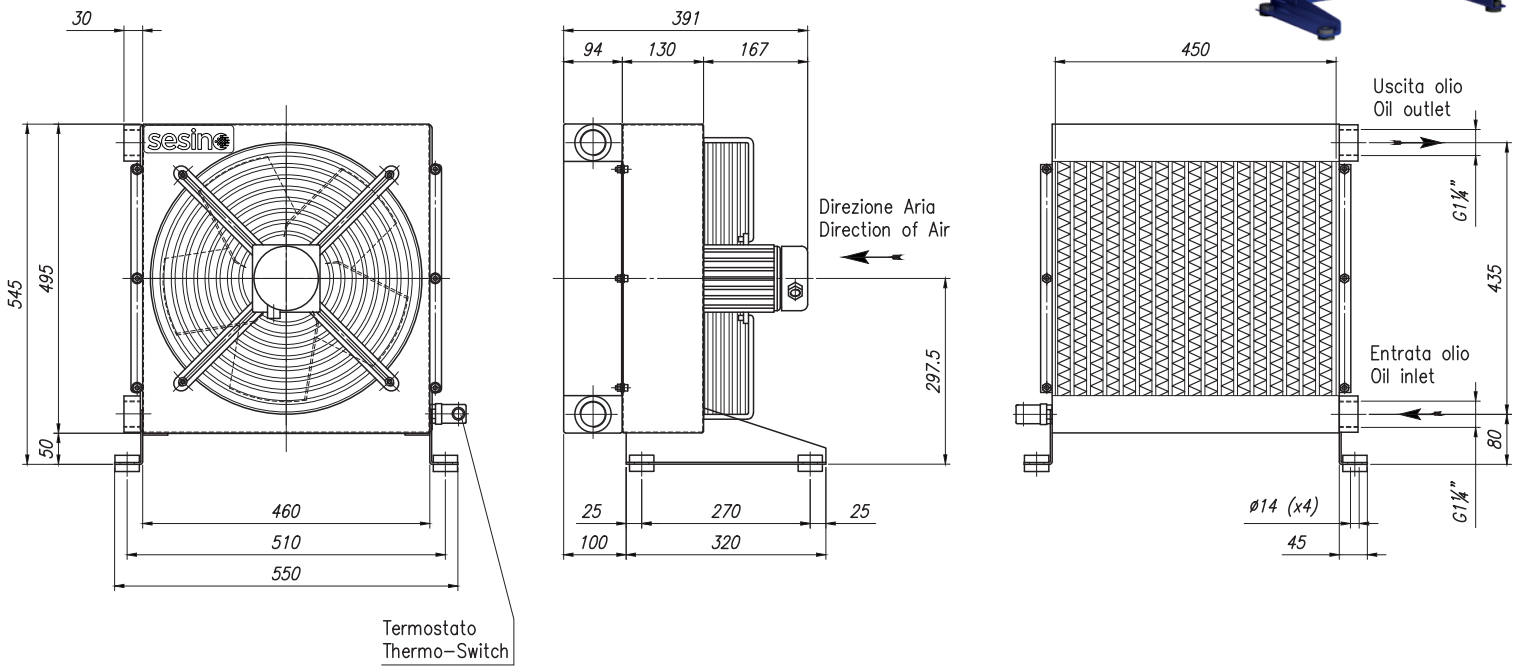




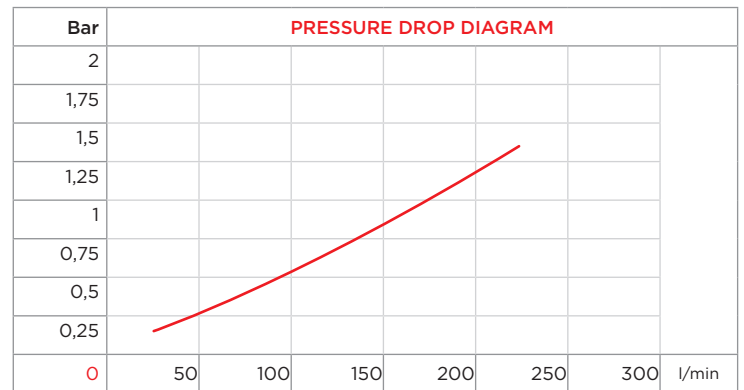
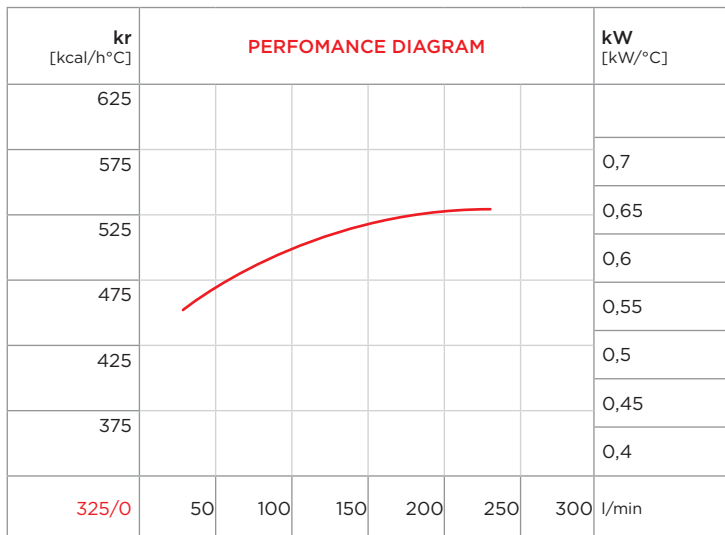
- Dimensions and technical characteristics are not binding



Static working pressure = 20 bar

Test pressure = 35 bar

CODE	OIL FLOW	CAP.	VOLT.	FREQ.	POWER	CURRENT	AIR FLOW	PROT.	NOISE LEV.	WEIGHT	Ø FAN	TEMP.
	l/min	l	V	Hz	W	A	m <sup>3</sup> /h	IP	dB(A)	kg	mm	°C
3RAP494EM50ST	30-240	8	220-240(Δ) / 380-415	50	196	0,72	3300	56	73	30	400	-20/+40
3RAP494EM60ST	30-240	8	460 (Y)	60	261	0,72	3500	56	73	30	400	-20/+40



CORRECTION FACTOR							
cSt	22	30	46	68	100	150	220
f	0,6	1	1,5	2,3	3,5	5	7

### PURCHASE CODES

AP 494 EM three-phase 380-415V 50Hz with thermo-switch	3RAP494EM50T247 3RAP494EM50T260
AP 494 EM three-phase 460V 60 Hz with thermo-switch	3RAP494EM60T247 3RAP494EM60T260
AP 494 EM three-phase 380-415V 50Hz without thermo-switch	3RAP494EM50ST
AP 494 EM three-phase 460V 60 Hz without thermo-switch	3RAP494EM60ST

### SPARE PARTS

Cooling element	3RNL494A
Frame	3CNAP494EM.1
Electric fan 380-415V 50Hz	1VNAP432EM50
Electric fan 460V 60 Hz	1VNAP432EM60
Thermo-switch 47-36	1TRM 47-36
Thermo-switch 60-49	1TRM 60-49