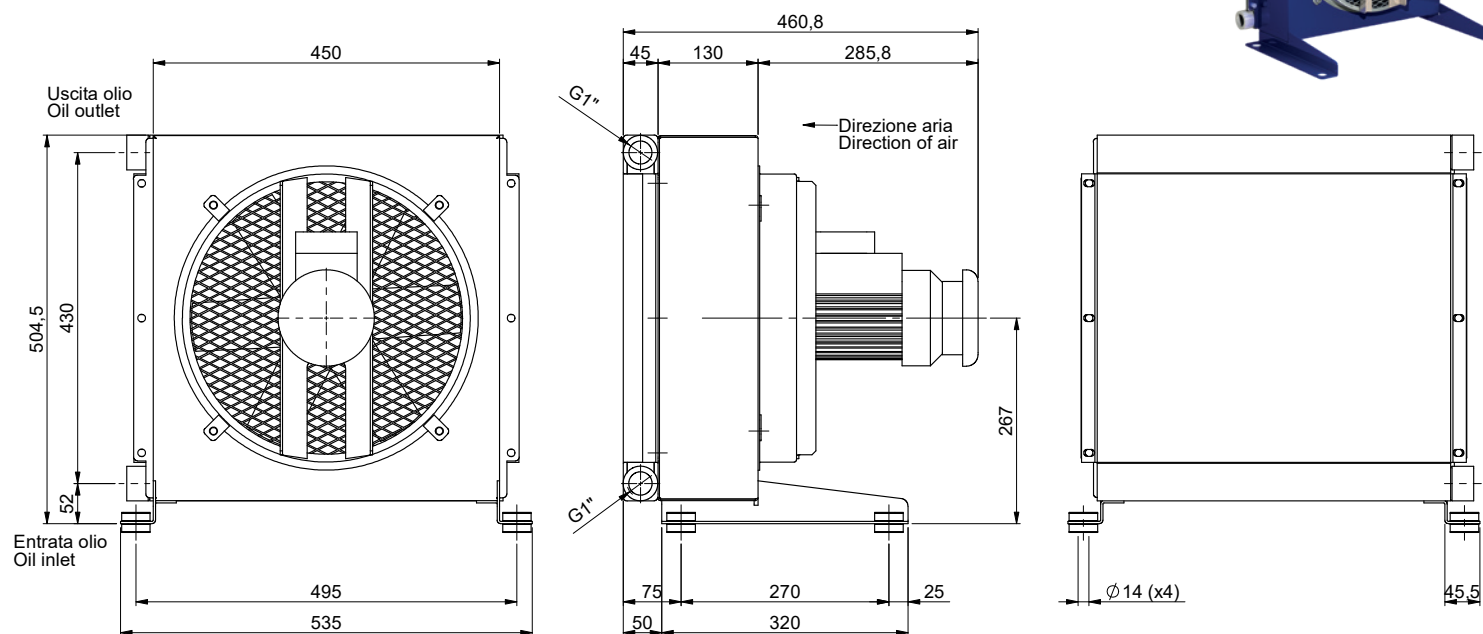


AP 430 EMX

AC MOTOR AIR-OIL HEAT EXCHANGERS
MARINE USE AND ATEX REGULATION EMX TYPE
SCAMBIATORI DI CALORE ARIA OLIO CON VENTILATORE A
CORRENTE ALTERNATA USO MARINO NORME ATEX SERIE EMX



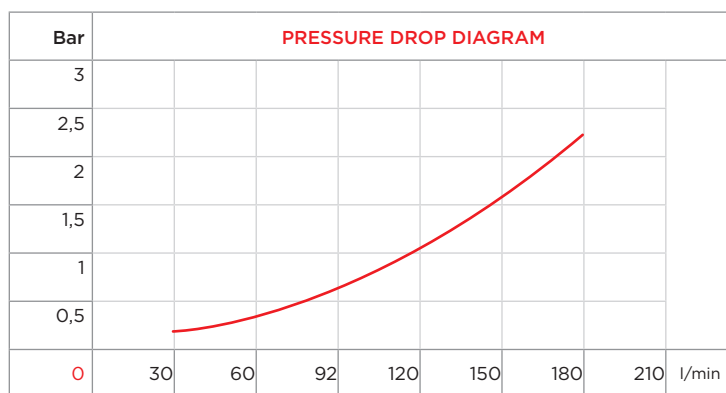
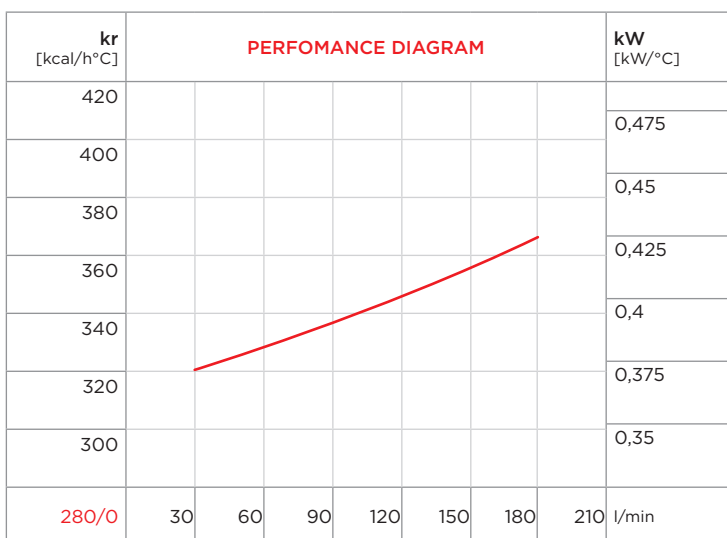
- Dimensions and technical characteristics are not binding



Static working pressure = 20 bar

Test pressure = 35 bar

CODE	OIL FLOW l/min	CAP. l	VOLT. V	FREQ. Hz	POWER W	CURRENT A	AIR FLOW m³/h	PROT. IP	NOISE LEV. dB(A)	WEIGHT kg	Ø FAN mm	TEMP. °C
3RAP430EMX50	30-180	3,6	220-240(Δ) / 380-415 (Y)	50	120	0,62	2600	56	81	38	350	-20/+40
3RAP430EMX60	30-180	3,6	460 (Y)	60	170	0,54	2800	56	83	38	350	-20/+40



CORRECTION FACTOR							
cSt	22	30	46	68	100	150	220
f	0,6	1	1,5	2,3	3,5	5	7

PURCHASE CODES

AP 430 EMX three-phase 380-415V 50Hz	3RAP430EMX50
AP 430 EMX three-phase 460V 60HZ	3RAP430EMX60

SPARE PARTS

Cooling element	3RNL430A
Frame	3CNAP430EMX.1
Electric fan 380-415V 50Hz	1VNAP430EMX50
Electric fan 460V 60Hz	1VNAP430EMX60