

BC 390 I BY-PASS

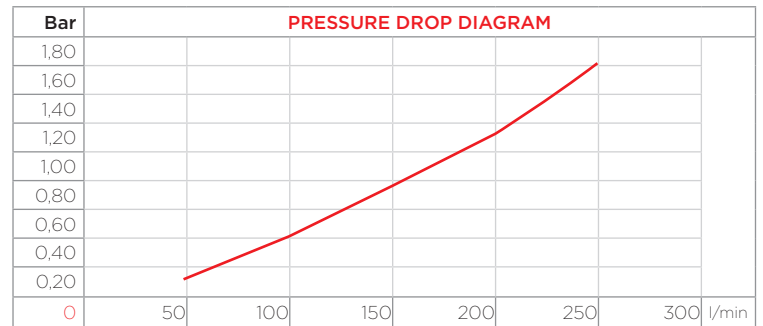
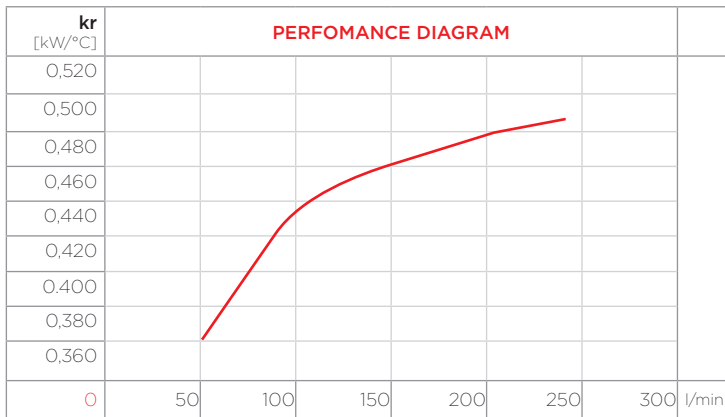


PURCHASE CODES

BC 390 I prepared	3RBC390I4ABP
BC 390 I with hydraulic motor	3RBC390I1ABP

SPARE PARTS

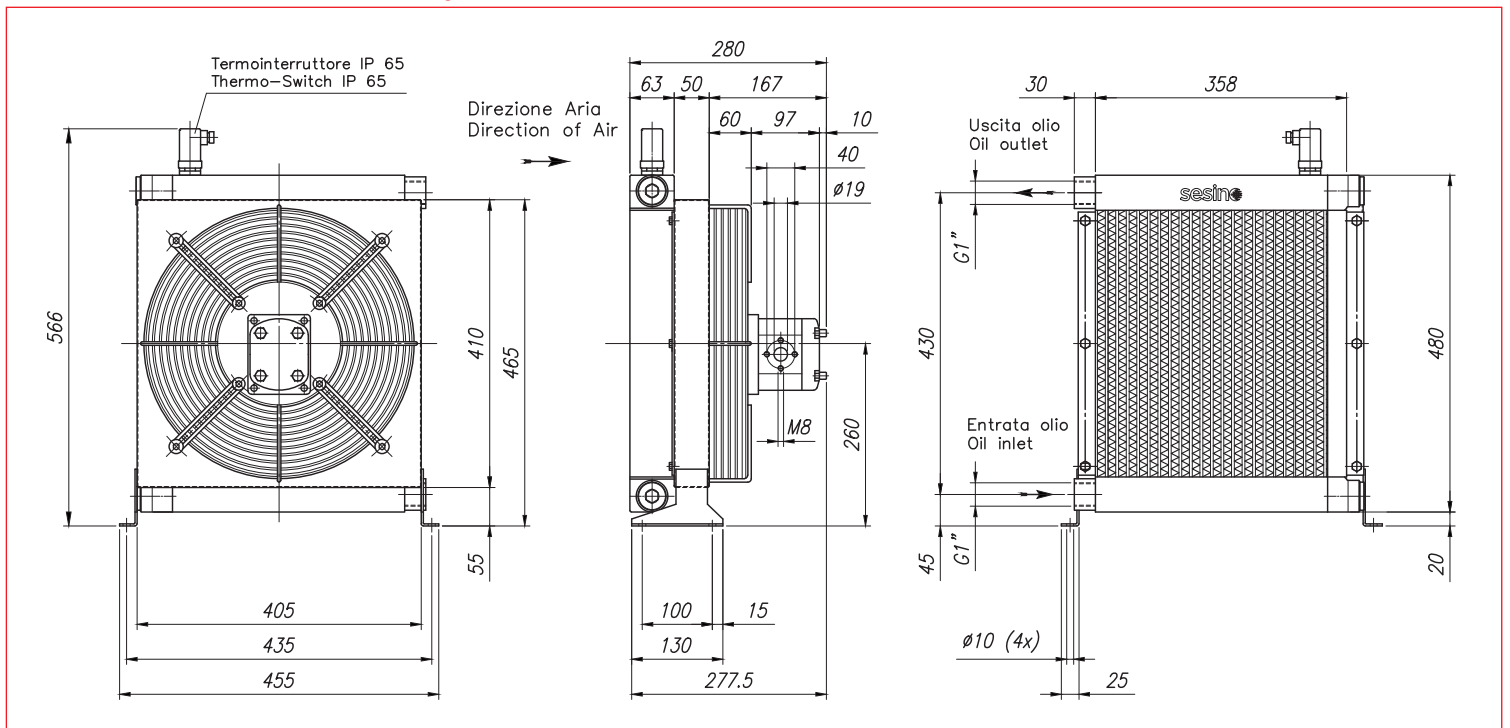
Cooling element	1RO03381BP
Frame	3CNBC390I.1
Hydraulic motor	1MO2/M16
Fan	1G3506345PAV
Fan grill	1RTAP430I
Thermo-switch 47-36 IP 65	1TRM 47-36
Thermo-switch 60-49 IP 65	1TRM 60-49
By-pass	9FTBC



CORRECTION FACTOR

cSt	22	30	46	68	100	150	220
f	0,6	1	1,5	2,3	3,5	5	7

- Dimensions and technical characteristics are not binding



OIL FLOW	FAN SPEED	POWER	DISPLACEMENT	MOTOR FLOW	AIR FLOW	NOISE LEVEL	WEIGHT	Ø FAN
l/min	rpm	W	cc/r	l/min	m ³ /h	dB(A)	kg	mm
50-250	2700	830	11,3	31	7000	74	23	400