

BC 250 AC

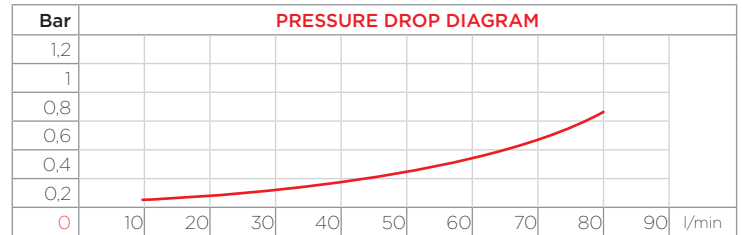
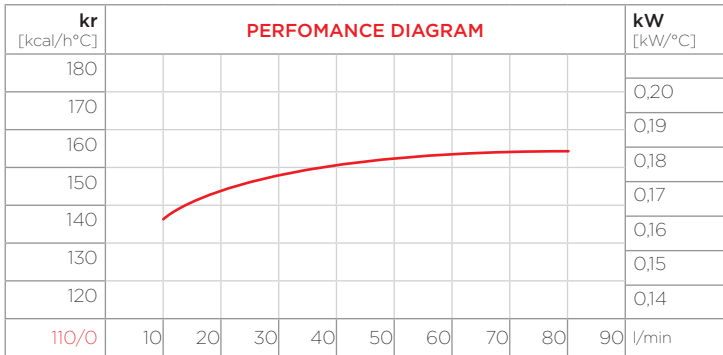


PURCHASE CODES

BC 250 single phase without thermo switch	3RBC250
BC 250 single phase with thermo switch	3RBC250T247 3RBC250T260
BC 250 three phase without thermo switch	3RBC25038
BC 250 three phase with thermo switch	3RBC25038T247 3RBC25038T260

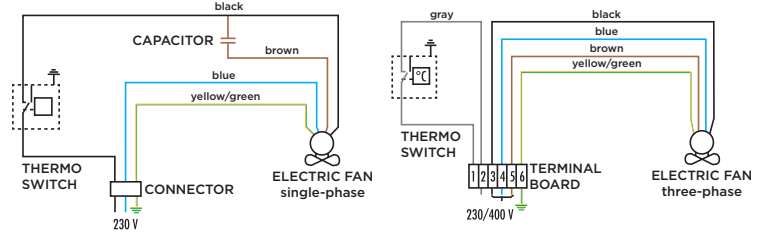
SPARE PARTS

Cooling element	1RO03379
Frame	3CNBC250M/T1
Electric fan for BC 250 single phase	1VNA2E250G
Electric fan for BC 250 three phase	1VNA2D250.2
Thermo-switch 47-36 IP 65	1TRM 47-36
Thermo-switch 60-49 IP 65	1TRM 60-49

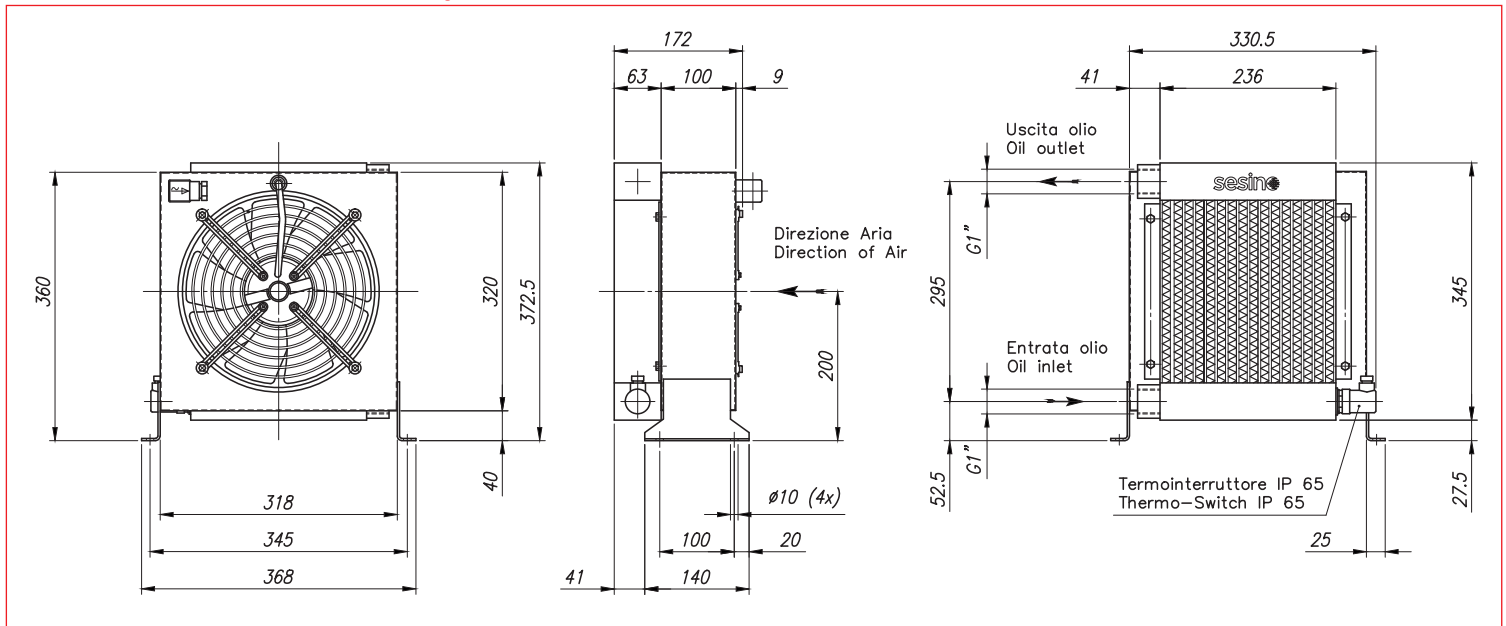


CORRECTION FACTOR

cSt	22	30	46	68	100	150	220
f	0,6	1	1,5	2,3	3,5	5	7



- Dimensions and technical characteristics are not binding



OIL FLOW	VOLTAGE	FREQUENCY	POWER	CURRENT	AIR FLOW	PROTECTION	NOISE LEVEL	WEIGHT	Ø FAN
l/min	V	hz	W	A	m ³ /h	IP	dB(A)	kg	mm
20-150	230	50/60	115/150	0,51/0,66	910	54	74	13	250
20-150	400	50/60	100/140	0,20/0,23	950	54	73	13	250