

# BC 250/2 I

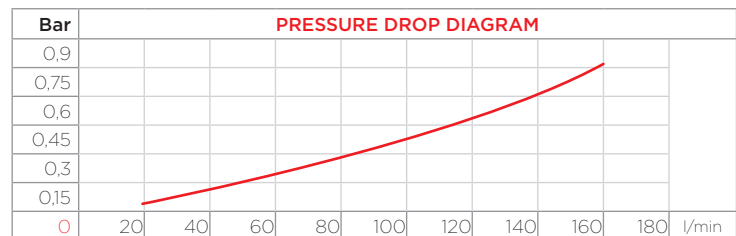
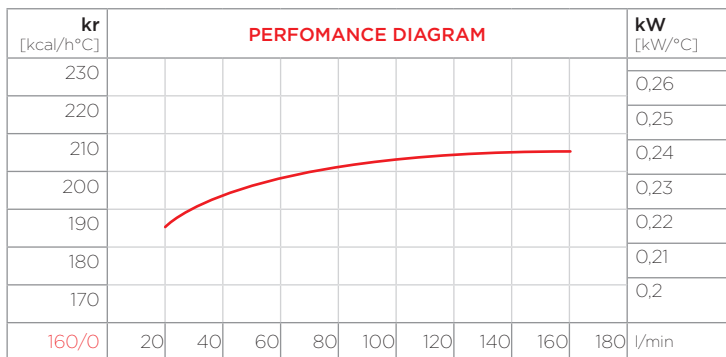


## PURCHASE CODES

BC 250/2 I prepared	3RBC250/2I4A
BC 250/2 I with hydraulic motor	3RBC250/2IIA

## SPARE PARTS

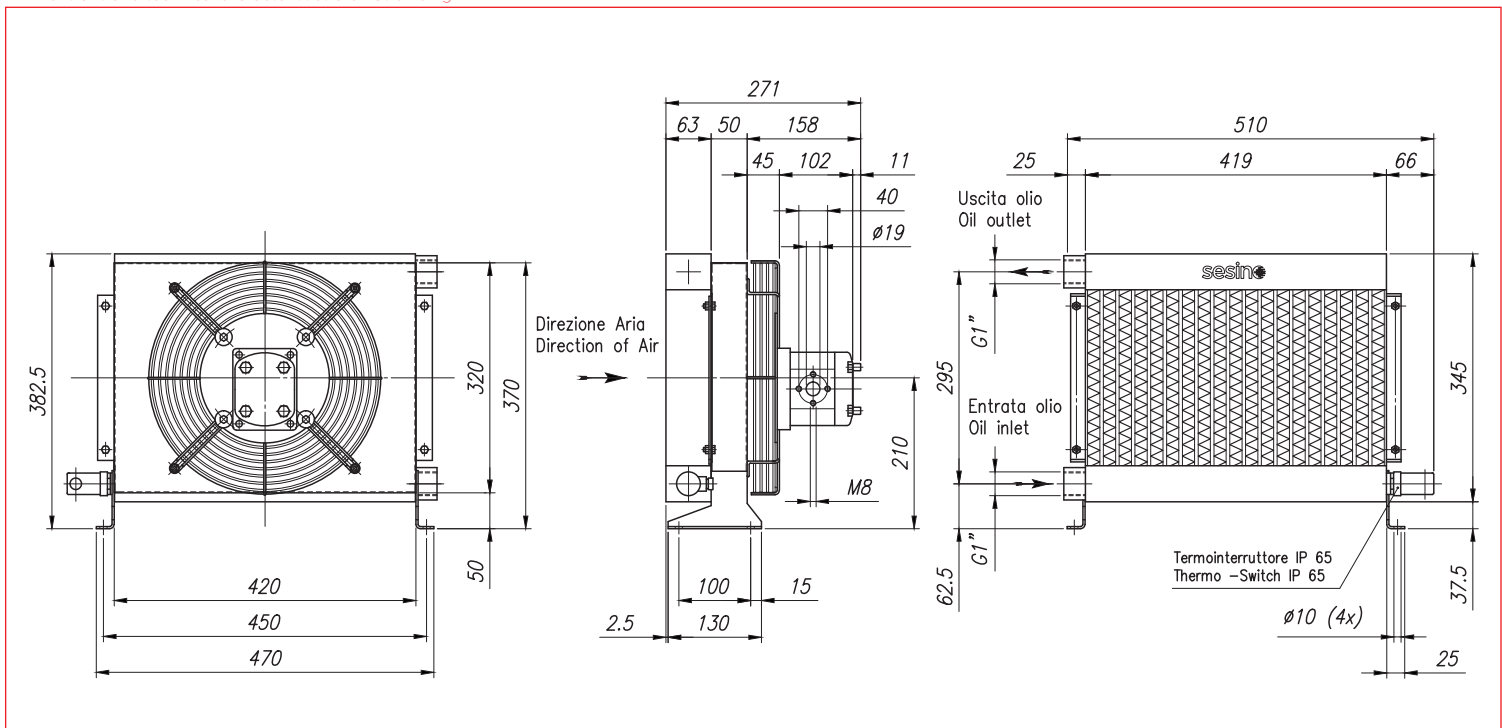
Cooling element	1RO03378
Frame	3CNAP302I.1
Hydraulic motor	1MO2/M16
Fan	1G2806230PAV
Fan grill	1RTAP300I
Thermo-switch 47-36 IP 65	1TRM 47-36
Thermo-switch 60-49 IP 65	1TRM 60-49



**CORRECTION FACTOR**

cSt	22	30	46	68	100	150	220
f	0,6	1	1,5	2,3	3,5	5	7

- Dimensions and technical characteristics are not binding



OIL FLOW	FAN SPEED	POWER	DISPLACEMENT	MOTOR FLOW	AIR FLOW	NOISE LEVEL	WEIGHT	ø FAN
l/min	rpm	W	cc/r	l/min	m³/h	dB(A)	kg	mm
30-180	2300	200	11,3	26	2.500	70	19	255