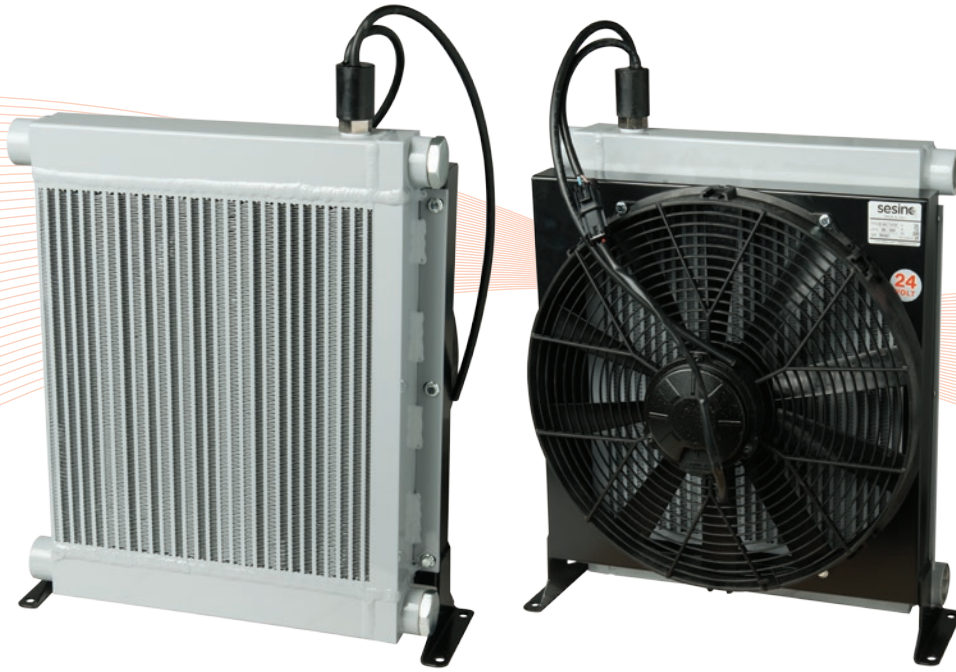


# BC 390 12/24 BY-PASS

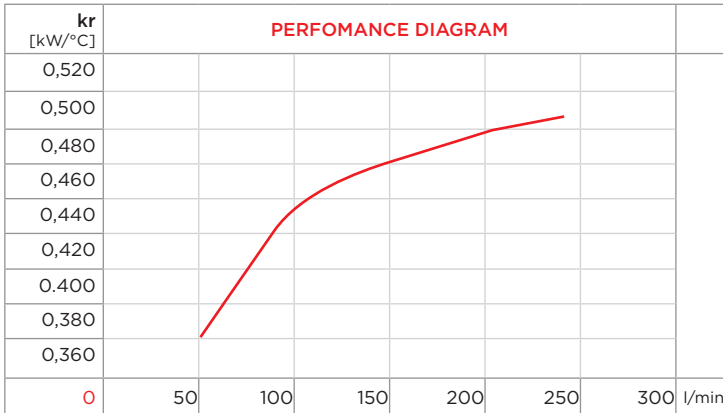


## PURCHASE CODES

BC 390 12/24V without thermo switch	3RBC39012BP 3RBC39024BP
BC 390 12/24V with thermo switch	3RBC39012T247BP 3RBC39024T247BP 3RBC39012T260BP 3RBC39024T260BP

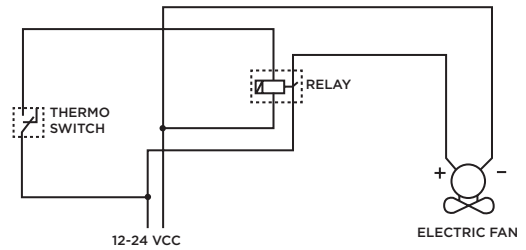
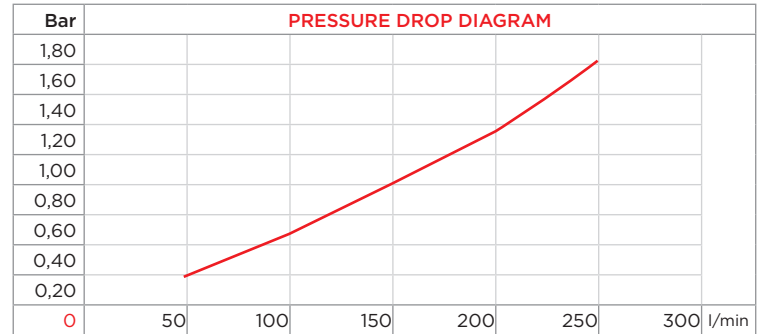
## SPARE PARTS

Cooling element	1RO03381BP
Frame	3CNBC390.1
Electric fan 12V	1MCVA18AP70AC
Electric fan 24V	1VNAPL58024C
Thermo-switch 47-36 12V IP 67	1TRM 47-36/12V
Thermo-switch 47-36 24V IP 67	1TRM 47-36/24V
Thermo-switch 60-49 12V IP 67	1TRM 60-49/12V
Thermo-switch 60-49 24V IP 67	1TRM 60-49/24V
By-pass	9FTBC

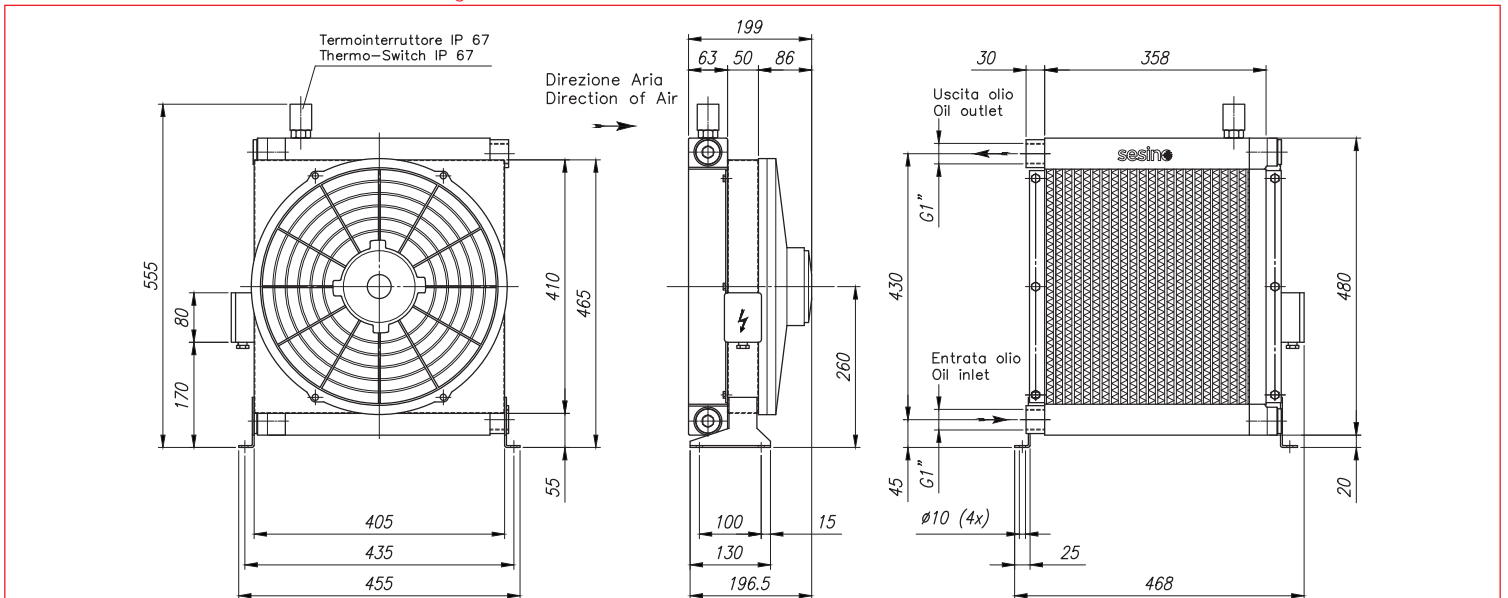


**CORRECTION FACTOR**

cSt	22	30	46	68	100	150	220
f	0,6	1	1,5	2,3	3,5	5	7



- Dimensions and technical characteristics are not binding



OIL FLOW	VOLTAGE	POWER	CURRENT	AIR FLOW	ELECTRIC PROTECTION	NOISE LEVEL	WEIGHT	Ø FAN
l/min	V	W	A	m³/h	IP	dB(A)	kg	mm
20-250	12	210	17	2.500	68	82	16	310
20-250	24	210	8,5	2.500	68	82	16	310