

BC 390/3 AC BY-PASS

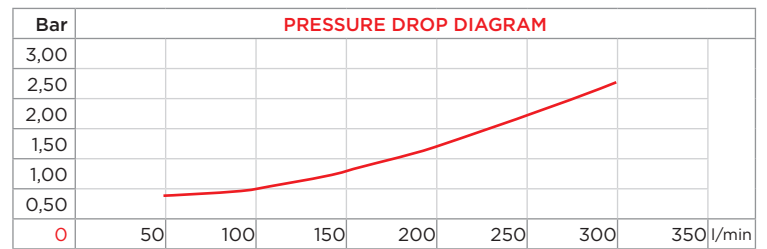
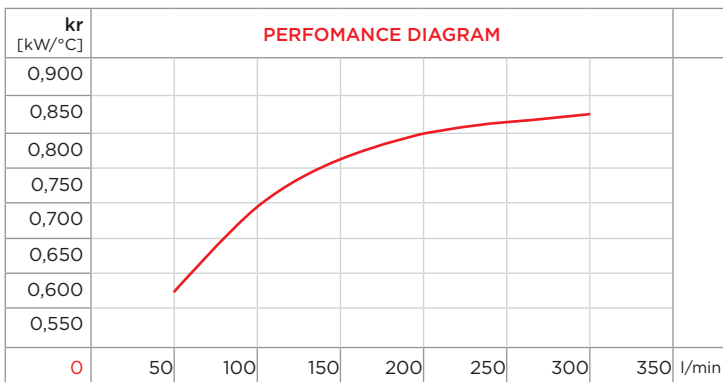


PURCHASE CODES

| | |
|---|--|
| BC 390/3 single phase without thermo switch | 3RBC390/3BP |
| BC 390/3 single phase with thermo switch | 3RBC390/3T247BP 3RBC390/3T260BP |
| BC 390/3 three phase without thermo switch | 3RBC390/338BP |
| BC 390/3 three phase with thermo switch | 3RBC390/338T247BP 3RBC390/338T260BP |

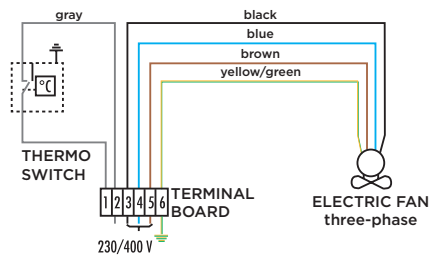
SPARE PARTS

| | |
|--|-----------------|
| Cooling element | 1RO14494BP |
| Frame | 3CNBC390/3M/T.1 |
| Electric fan for BC 390/2 single phase | 1VNEASS400 |
| Electric fan for BC 390/2 three phase | 1VNELCO43238DV2 |
| Thermo-switch 47-36 IP 65 | 1TRM 47-36 |
| Thermo-switch 60-49 IP 65 | 1TRM 60-49 |
| By-pass | 9FTBC |

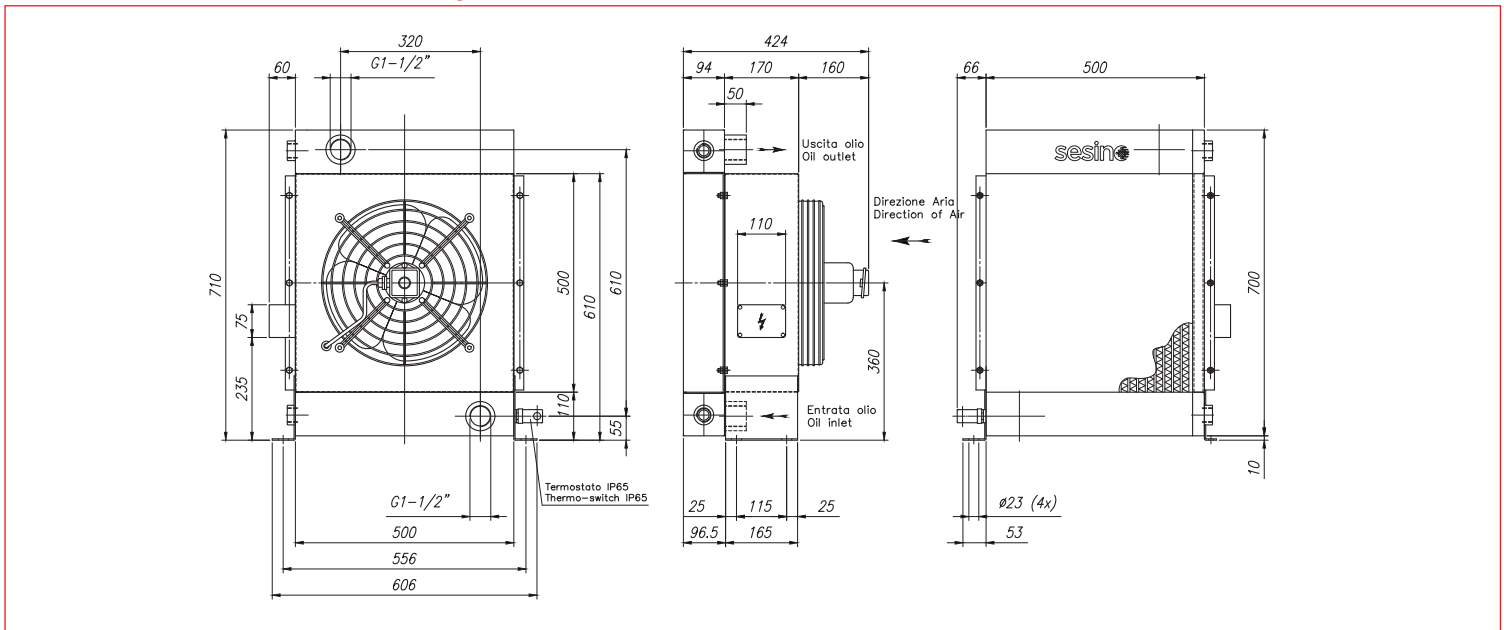


CORRECTION FACTOR

| | | | | | | | |
|-----|-----|----|-----|-----|-----|-----|-----|
| cSt | 22 | 30 | 46 | 68 | 100 | 150 | 220 |
| f | 0,6 | 1 | 1,5 | 2,3 | 3,5 | 5 | 7 |



- Dimensions and technical characteristics are not binding



| OIL FLOW | VOLTAGE | FREQUENCY | POWER | CURRENT | AIR FLOW | PROTECTION | NOISE LEVEL | WEIGHT | Ø FAN |
|----------|-------------|-----------|---------|-----------|-------------------|------------|-------------|--------|-------|
| l/min | V | hz | W | A | m ³ /h | IP | dB(A) | kg | mm |
| 100-300 | Δ 230 Y 400 | 50 | 110/180 | 0,57/0,33 | 3.500 | 55 | 72 | 40 | 400 |
| 100-300 | Δ 265 Y 460 | 60 | 145/260 | 0,68/0,39 | 4.800 | 55 | 72 | 40 | 400 |