

BC 390/3 I BY-PASS

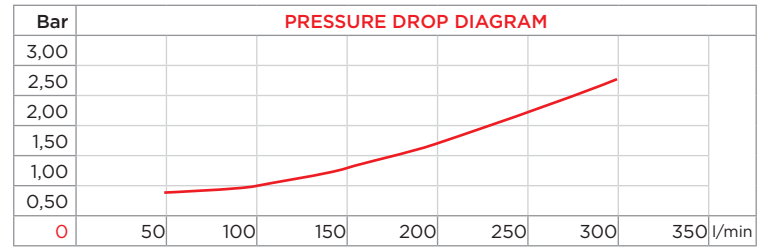
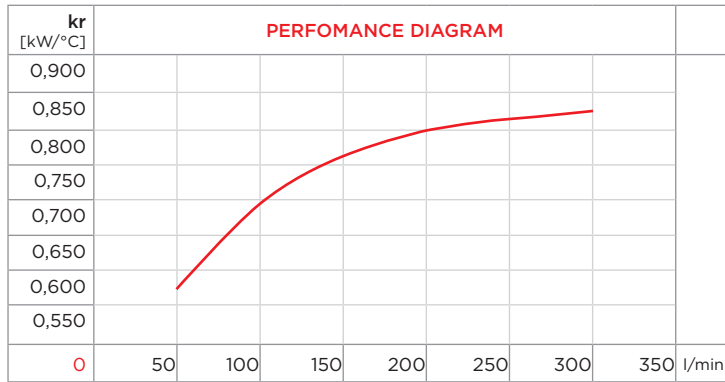


PURCHASE CODES

BC 390/3 I prepared	3RBC390/3I4ABP
BC 390/3 I with hydraulic motor	3RBC390/3I1ABP

SPARE PARTS

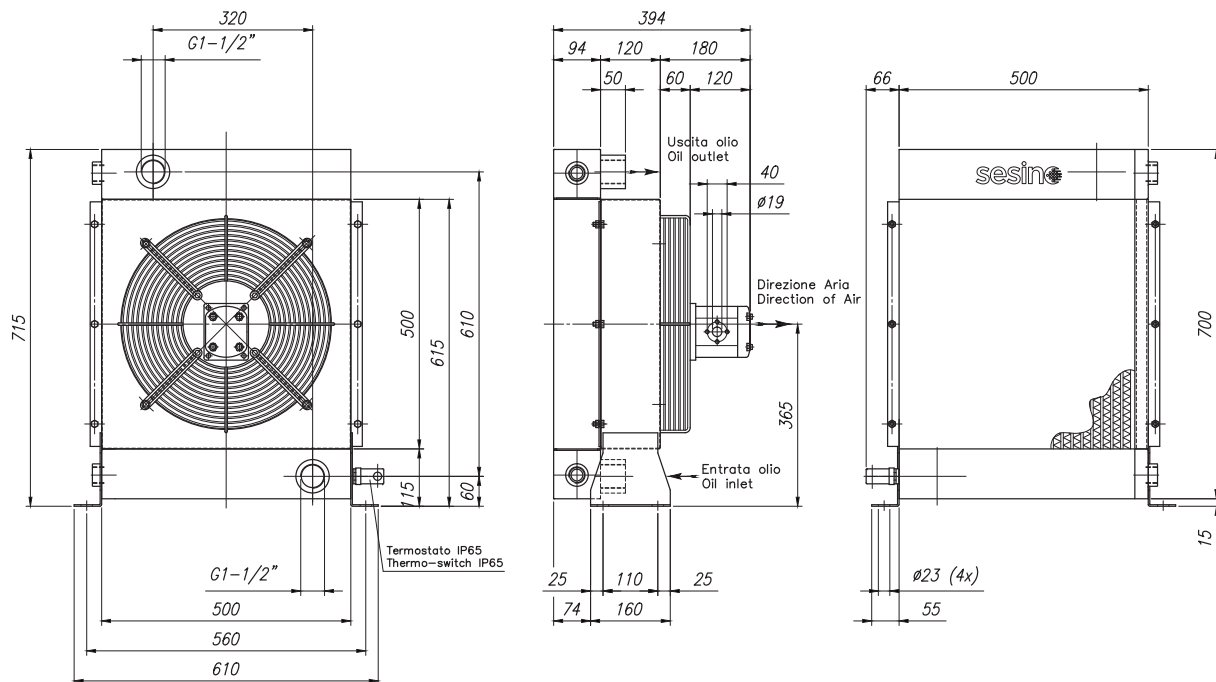
Cooling element	1RO14494BP
Frame	3CNBC390/3I.1
Hydraulic motor	1MO2/M16
Fan	1G40010345PAV
Fan grill	1RTAP580I
Thermo-switch 47-36 IP 65	1TRM 47-36
Thermo-switch 60-49 IP 65	1TRM 60-49
By-pass	9FTBC



CORRECTION FACTOR

cSt	22	30	46	68	100	150	220
f	0,6	1	1,5	2,3	3,5	5	7

- Dimensions and technical characteristics are not binding



OIL FLOW	FAN SPEED	POWER	DISPLACEMENT	MOTOR FLOW	AIR FLOW	NOISE LEVEL	WEIGHT	ø FAN
l/min	rpm	W	cc/r	l/min	m ³ /h	dB(A)	kg	mm
100-300	2.250	880	11,3	26	8.000	78	38	400