

BC 390/2 AC BY-PASS

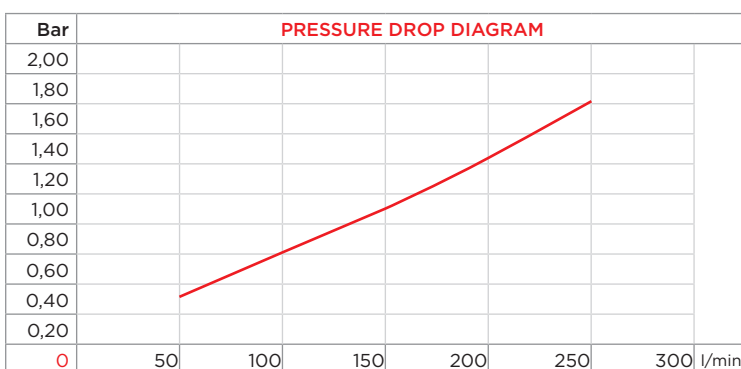
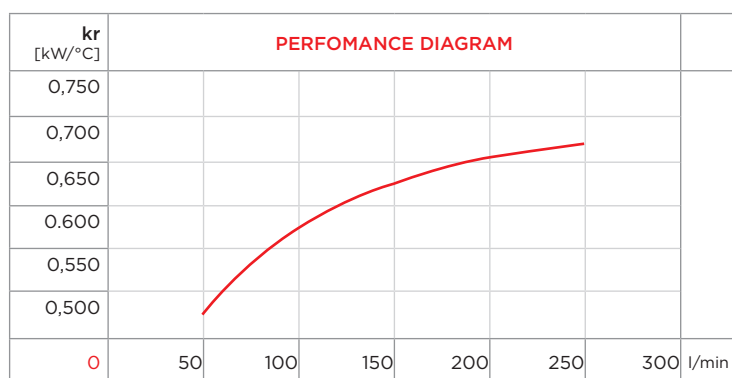


PURCHASE CODES

BC 390/2 single phase without thermo switch	3RBC390/2BP
BC 390/2 single phase with thermo switch	3RBC390/2T247BP 3RBC390/2T260BP
BC 390/2 three phase without thermo switch	3RBC390/238BP
BC 390/2 three phase with thermo switch	3RBC390/238T247BP 3RBC390/238T260BP

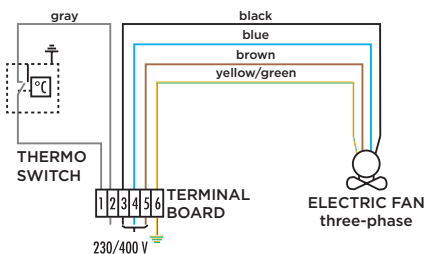
SPARE PARTS

Cooling element	1R003383BP
Frame	3CNBC390/2M/T1
Electric fan for BC 390/2 single phase	1VNEASS400
Electric fan for BC 390/2 three phase	1VNELCO43238DV2
Thermo-switch 47-36 IP 65	1TRM 47-36
Thermo-switch 60-49 IP 65	1TRM 60-49
By-pass	9FTBC

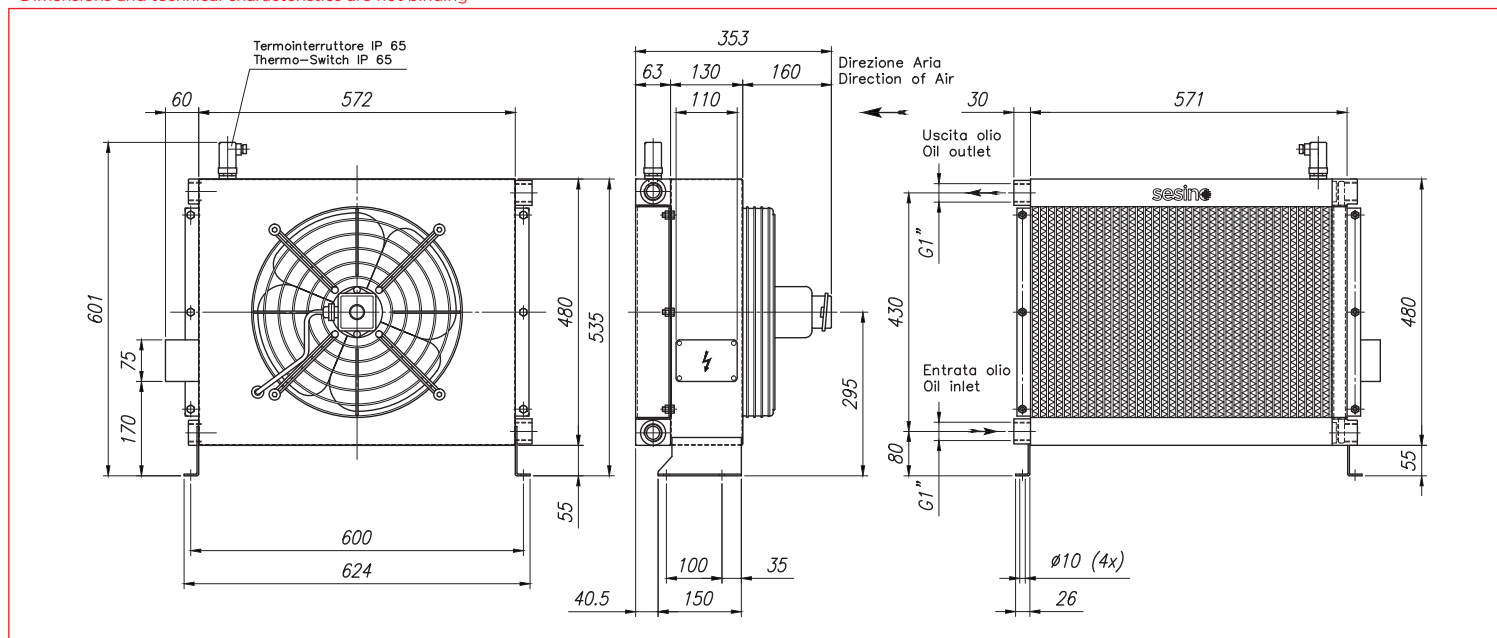


CORRECTION FACTOR

cSt	22	30	46	68	100	150	220
f	0,6	1	1,5	2,3	3,5	5	7



- Dimensions and technical characteristics are not binding



OIL FLOW	VOLTAGE	FREQUENCY	POWER	CURRENT	AIR FLOW	PROTECTION	NOISE LEVEL	WEIGHT	Ø FAN
l/min	V	hz	W	A	m³/h	IP	dB(A)	kg	mm
30-250	Δ 230 Y 400	50	110/180	0,57/0,33	2.750	55	72	31	400
30-250	Δ 265 Y 460	60	145/260	0,68/0,39	3.300	55	73	31	400