

BC 250/2 12/24 BY-PASS

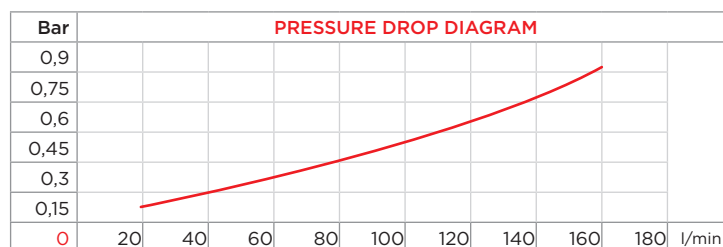
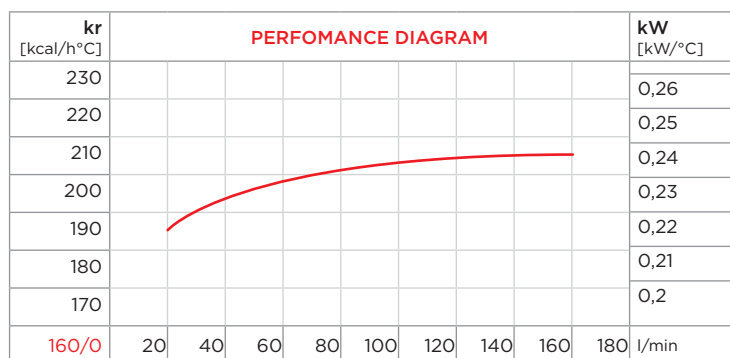


PURCHASE CODES

BC 250/2 12/24V without thermo switch	3RBC250/212BP 3RBC250/224BP
BC 250/2 12/24V with thermo switch	3RBC250/212T247BP 3RBC250/224T247BP 3RBC250/212T260BP 3RBC250/224T260BP

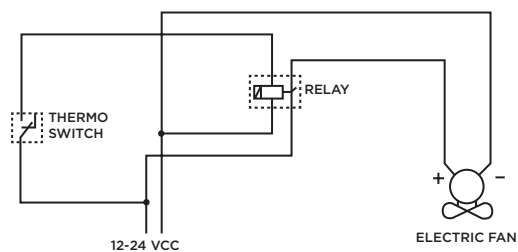
SPARE PARTS

Cooling element	1RO03380BP
Frame	3CNL302.1
Electric fan 12V	1VNAPL30012C
Electric fan 24V	1VNAPL30024C
Thermo-switch 47-36 12V IP 67	1TRM 47-36/12V
Thermo-switch 47-36 24V IP 67	1TRM 47-36/24V
Thermo-switch 60-49 12V IP 67	1TRM 60-49/12V
Thermo-switch 60-49 24V IP 67	1TRM 60-49/24V
By-pass	9FTBC

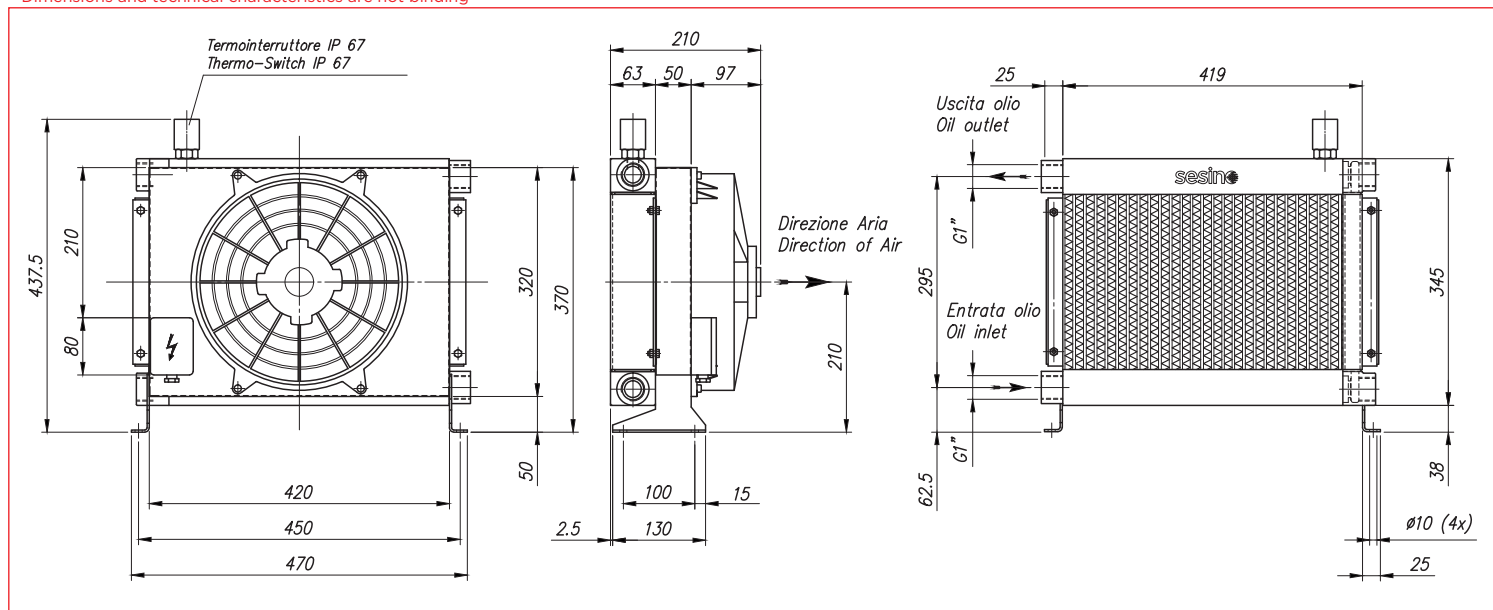


CORRECTION FACTOR

cSt	22	30	46	68	100	150	220
f	0,6	1	1,5	2,3	3,5	5	7



- Dimensions and technical characteristics are not binding



OIL FLOW	VOLTAGE	POWER	CURRENT	AIR FLOW	ELECTRIC PROTECTION	NOISE LEVEL	WEIGHT	Ø FAN
l/min	V	W	A	m ³ /h	IP	dB(A)	kg	mm
30-180	12	180	15,0	2.200	68	83	14	280
30-180	24	180	7,5	2.200	68	83	14	280