

BC 250/2 I BY-PASS

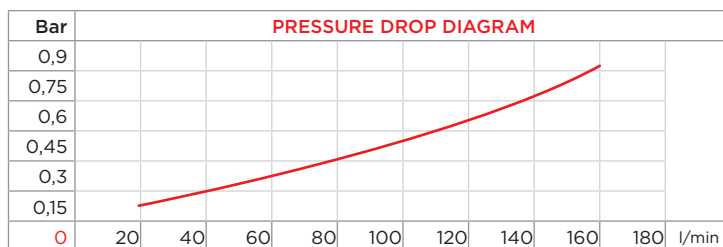
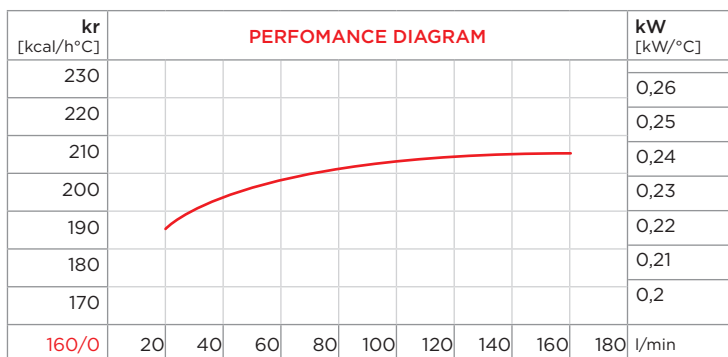


PURCHASE CODES

| | |
|---------------------------------|----------------|
| BC 250/2 I prepared | 3RBC250/2I4ABP |
| BC 250/2 I with hydraulic motor | 3RBC250/2I1ABP |

SPARE PARTS

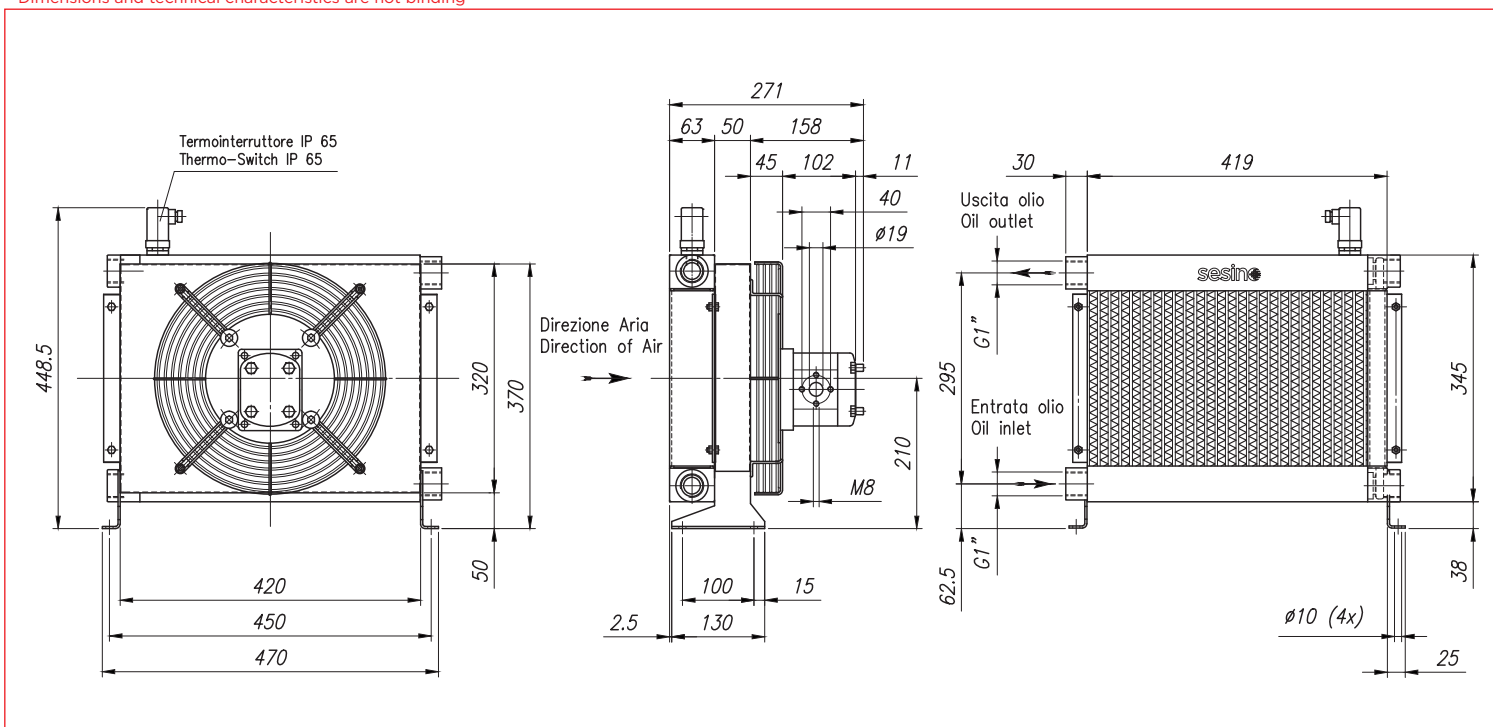
| | |
|---------------------------|--------------|
| Cooling element | 1RO03378BP |
| Frame | 3CNAP302I.1 |
| Hydraulic motor | 1MO2/M16 |
| Fan | 1G2806230PAV |
| Fan grill | 1RTAP300I |
| Thermo-switch 47-36 IP 65 | 1TRM 47-36 |
| Thermo-switch 60-49 IP 65 | 1TRM 60-49 |
| By-pass | 9FTBC |



CORRECTION FACTOR

| cSt | 22 | 30 | 46 | 68 | 100 | 150 | 220 |
|-----|-----|----|-----|-----|-----|-----|-----|
| f | 0,6 | 1 | 1,5 | 2,3 | 3,5 | 5 | 7 |

- Dimensions and technical characteristics are not binding



| OIL FLOW | FAN SPEED | POWER | DISPLACEMENT | MOTOR FLOW | AIR FLOW | NOISE LEVEL | WEIGHT | ø FAN |
|----------|-----------|-------|--------------|------------|----------|-------------|--------|-------|
| l/min | rpm | W | cc/r | l/min | m³/h | dB(A) | kg | mm |
| 20-150 | 2300 | 200 | 11,3 | 26 | 2.500 | 70 | 19 | 255 |