

AP 730 EM

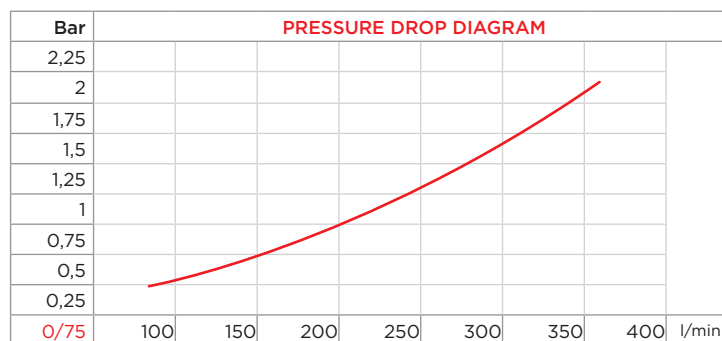
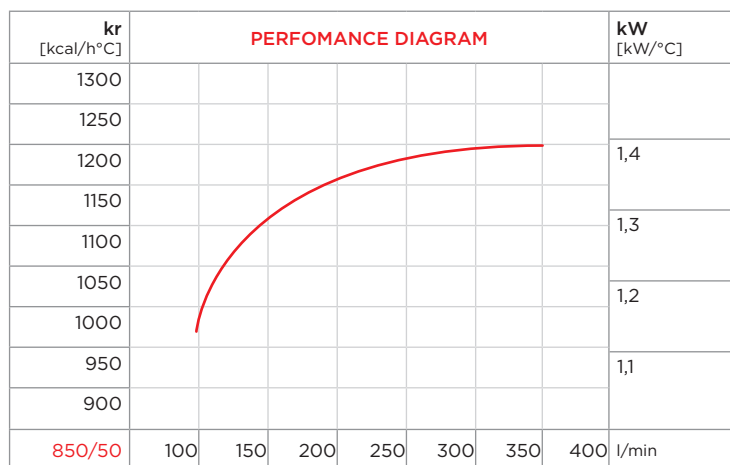


PURCHASE CODES

AP 730 EM three-phase 400V 50HZ with thermo-switch	3RAP730EM50T247 3RAP730EM50T260
AP 730 EM three-phase 480V 60HZ with thermo-switch	3RAP730EM60T247 3RAP730EM60T260
AP 730 EM three-phase 400V 50HZ without thermo-switch	3RAP730EM50ST
AP 730 EM three-phase 480V 60HZ without thermo-switch	3RAP730EM60ST

SPARE PARTS

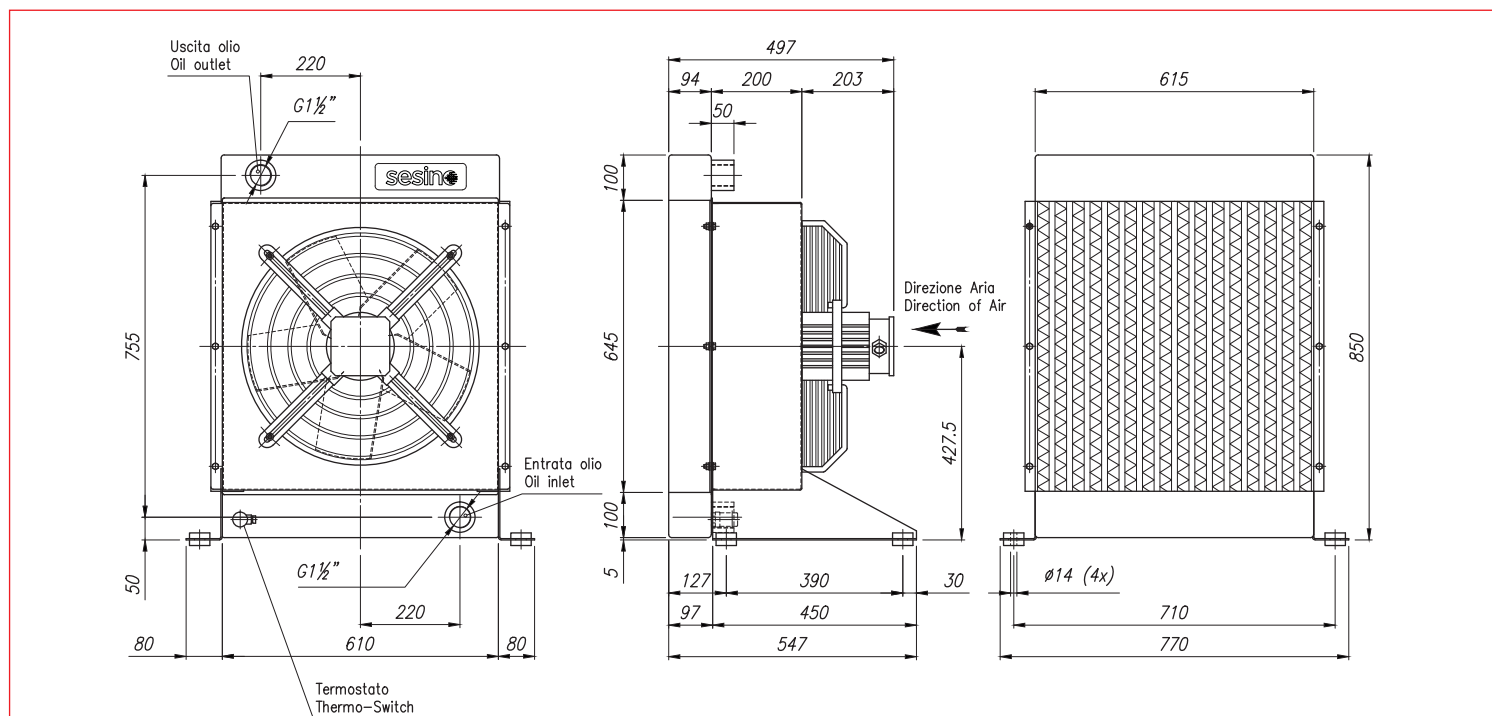
Cooling element	3RNL730A
Frame	3CNAP730EM.1
Electric fan 400V 50Hz	1VNAP680EM50
Electric fan 480V 60Hz	1VNAP680EM60
Thermo-switch 47-36	1TRM 47-36
Thermo-switch 60-49	1TRM 60-49



CORRECTION FACTOR

cSt	22	30	46	68	100	150	220
f	0,6	1	1,5	2,3	3,5	5	7

Dimensions and technical characteristics are not binding



CODE	OIL FLOW [l/min]	CAPACITY [l]	VOLT. [V]	FREQ. [Hz]	POWER [W]	CURRENT [A]	AIR FLOW [m³/h]	PROTECTION [IP]	NOISE LEV. [dB(A)]	WEIGHT [kg]	ø FAN [mm]	TEMP. [°C]
3RAP730EM50ST	100-350	16	400	50	725	1,34	7800	56	75	78	500	-20/+40
3RAP730EM60ST	100-350	16	480	60	816	1,27	8200	56	75	78	500	-20/+40