

# AP 494 EM

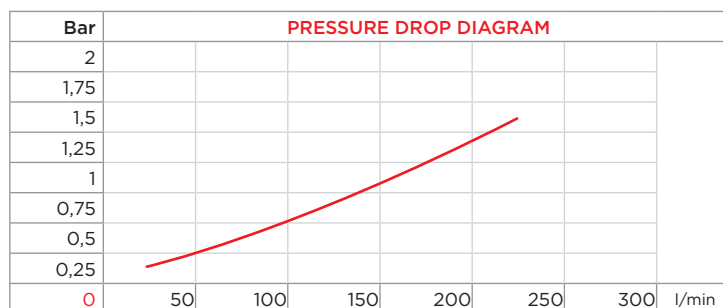
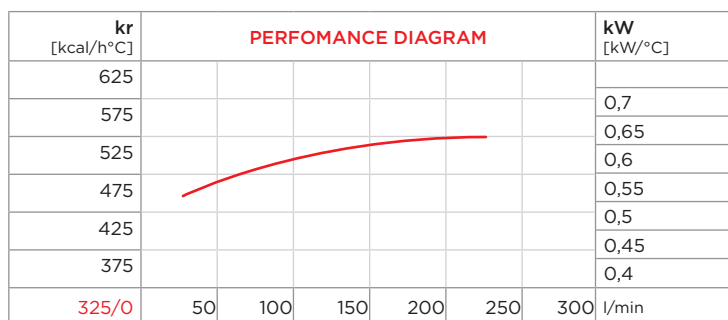


## PURCHASE CODES

AP 494 EM three-phase 400V 50HZ with thermo-switch	3RAP494EM50T247 3RAP494EM50T260
AP 494 EM three-phase 480V 60HZ with thermo-switch	3RAP494EM60T247 3RAP494EM60T260
AP 494 EM three-phase 400V 50HZ without thermo-switch	3RAP494EM50ST
AP 494 EM three-phase 480V 60HZ without thermo-switch	3RAP494EM60ST

## SPARE PARTS

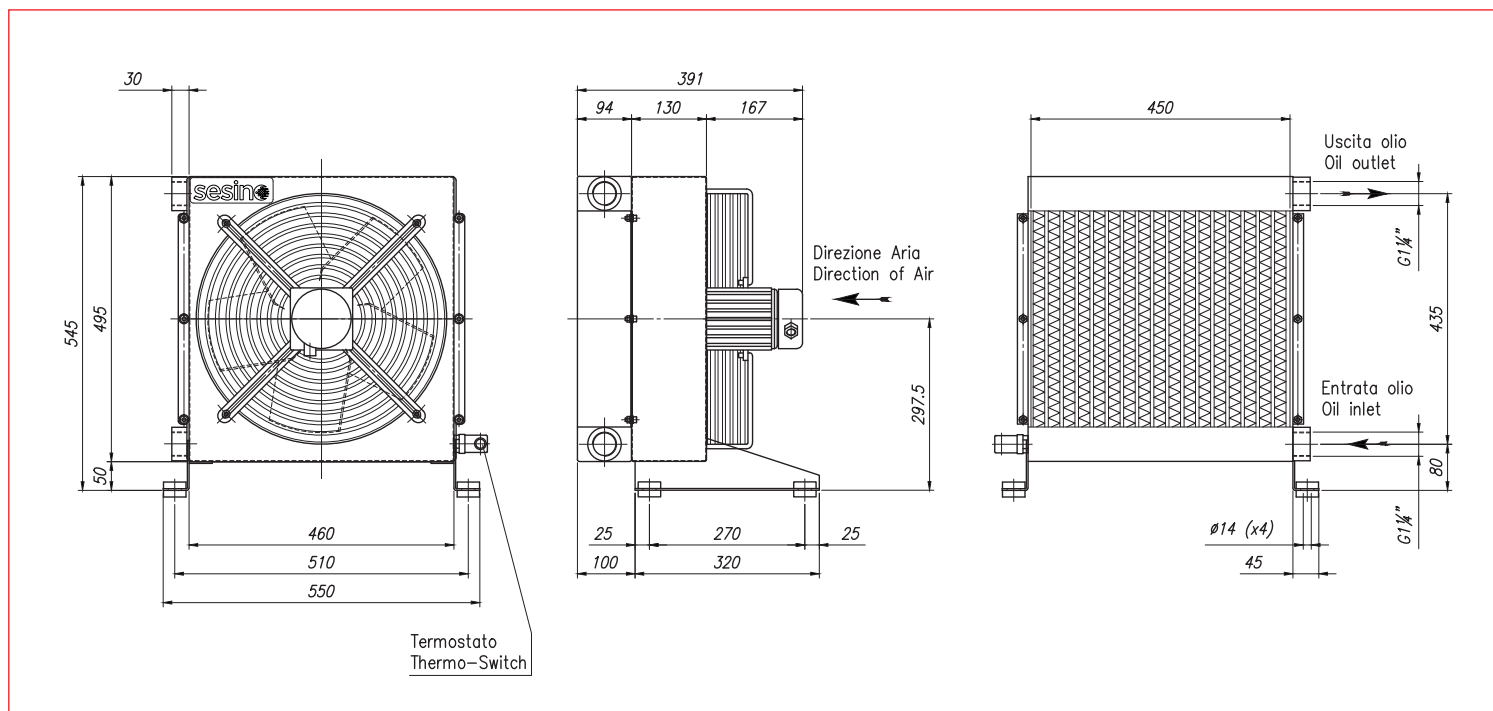
Cooling element	3RNL494A
Frame	3CNAP494EM.1
Electric fan 400V 50Hz	1VNAP432EM50
Electric fan 480V 60Hz	1VNAP432EM60
Thermo-switch 47-36	1TRM 47-36
Thermo-switch 60-49	1TRM 60-49



**CORRECTION FACTOR**

cSt	22	30	46	68	100	150	220
f	0,6	1	1,5	2,3	3,5	5	7

- Dimensions and technical characteristics are not binding



CODE	OIL FLOW	CAPACITY	VOLT.	FREQ.	POWER	CURRENT	AIR FLOW	PROTECTION	NOISE LEV.	WEIGHT	Ø FAN	TEMP.
	l/min	l	V	Hz	W	A	m³/h	IP	dB(A)	kg	mm	°C
3RAP494EM50ST	30-240	8	400	50	196	0,72	3300	56	73	30	400	-20/+40
3RAP494EM60ST	30-240	8	480	60	261	0,72	3500	56	73	30	400	-20/+40