

AP 580 I

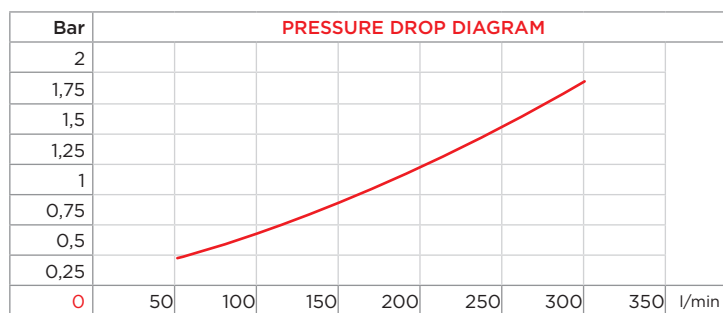
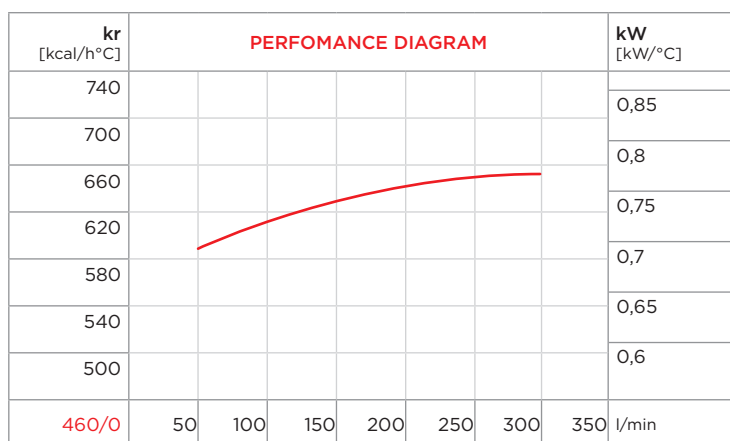


PURCHASE CODES

AP 580 I with hydraulic motor	3RAP58011A
AP 580 I prepared	3RAP58014A

SPARE PARTS

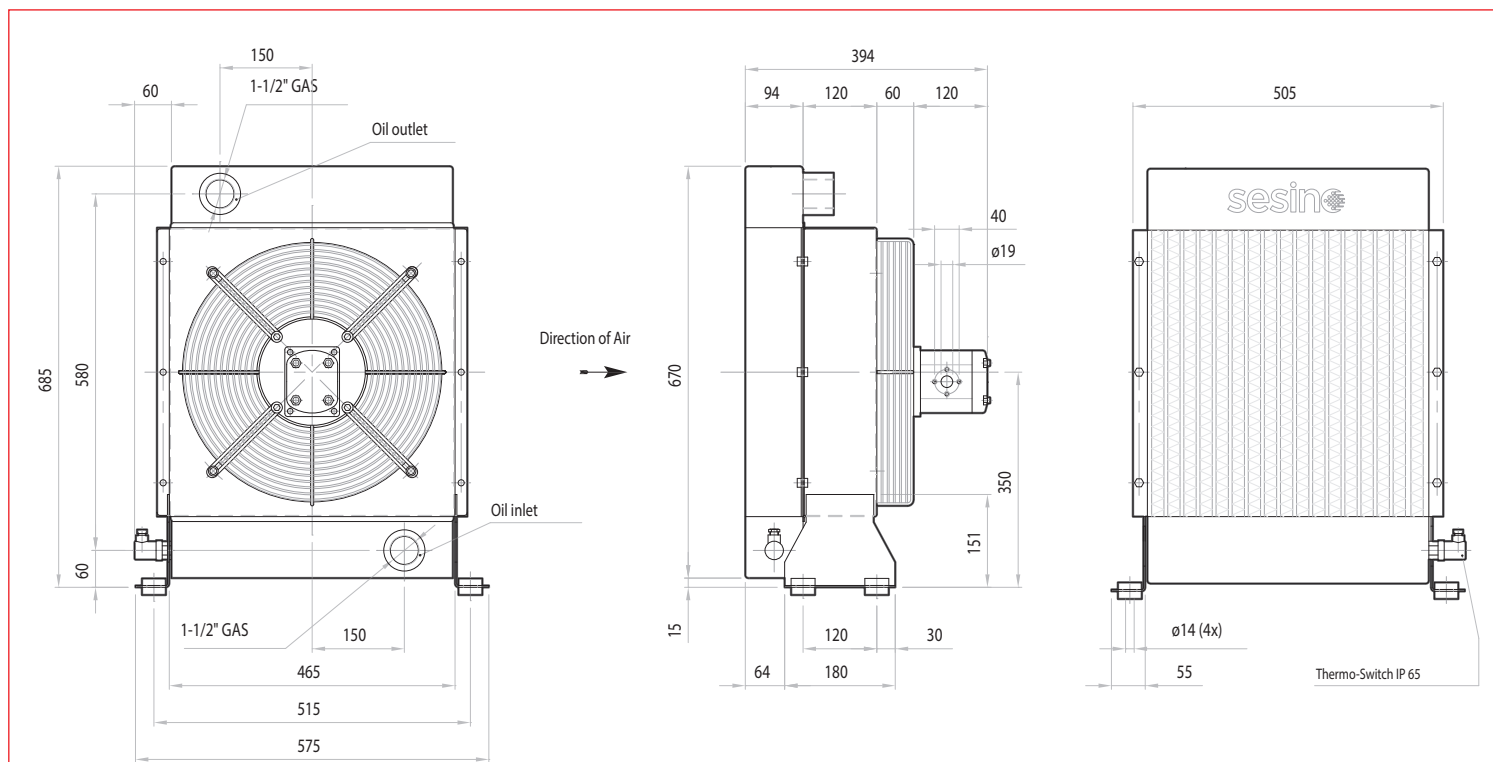
Frame	3CNAP580.1
Shock isolating mounting (4 pcs)	3KIT4135
Electric junction box for	1CSSDSAREL
Cooling element	3RNL580
Fan	1G580I
Hydraulic motor	1MO2/M16
Thermo-switch 60-49 IP 65	1TRM60-49
Thermo-switch 47-36 IP 65	1TRM47-36
Fan Grill	1RTAP580I



CORRECTION FACTOR

cSt	22	30	46	68	100	150	220
f	0,6	1	1,5	2,3	3,5	5	7

- Dimensions and technical characteristics are not binding



OIL FLOW	FAN SPEED	POWER	DISPLACEMENT	MOTOR FLOW	AIR FLOW	NOISE LEVEL	WEIGHT	CAPACITY	ø FAN
l/min	rpm	W	cc/r	l/min	m ³ /h	dB(A)	kg	lt.	mm
100-250	2.250	880	11,3	26	8.000	78	38	11,5	400